

Suction area

SAUG-FL SCG 60 POM

Part no.: 10.01.30.00031

<https://www.schmalz.com/10.01.30.00031>



Homepage > SAUG-FL SCG 60 POM

Suction plate

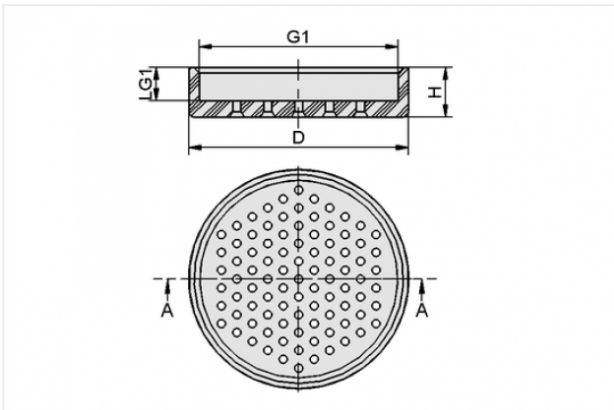


External diameter D: 60 mm

Height H: 9.5 mm

Suction cup material:
Polyoxymethylene
for: Flow Grippers

Design Data



Attribute	Value
D	60 mm
G1	M37x1-F
H	9.5 mm
LG1	6.8 mm

Technical Data

Attribute	Value
Holding force	4 ... 20 N
Suction cup material	Polyoxymethylene
Weight	16 g

Contact to Schmalz

J. Schmalz GmbH | Johannes-Schmalz-Straße, 72293 Glatten, Deutschland | +49 7443 2403-102 | customercenter@schmalz.de

Accessories



SCG 1xE100 A MA

Part no. 10.01.30.00092

Flow Grippers for handling sensitive components

Number of ejectors: 1

Performance class: E100

with: Blow-off function

Mounting: Assembly axially



SCG 1xE100 A MS

Part no. 10.01.30.00170

Flow Grippers for handling sensitive components

Number of ejectors: 1

Performance class: E100

with: Blow-off function

Mounting: Assembly laterally



SCG 1xE100 A MA SDA

Part no. 10.01.30.00359

Flow Grippers for handling sensitive components

Number of ejectors: 1

Performance class: E100

with: Blow-off function

Mounting: Assembly axially

with: Axial silencer



SCG 1xE100 A MS SDA

Part no. 10.01.30.00360

Flow Grippers for handling sensitive components

Number of ejectors: 1

Performance class: E100

with: Blow-off function

Mounting: Assembly laterally

with: Axial silencer