

Flow gripper (mod) SCG 1xE100 A MS

<https://www.schmalz.com/10.01.30.00170>



Part no.: 10.01.30.00170

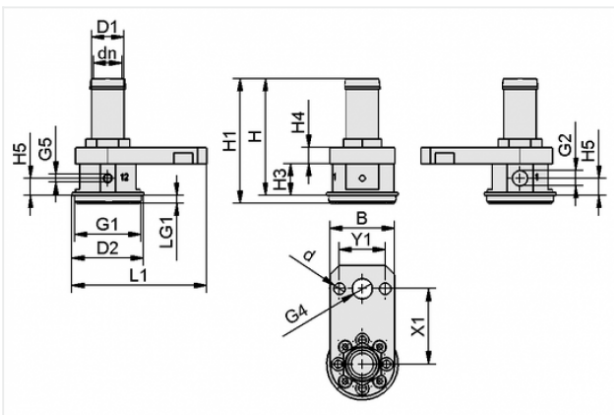
Homepage > Vacuum Technology for Automation > Vacuum Components > Special Grippers > Flow Grippers > Flow Grippers SCG > SCG 1xE100 A MS

Flow Grippers for handling sensitive components



Number of ejectors: 1
Performance class: E100
with: Blow-off function
Mounting: Assembly laterally

Design Data



Attribute	Value
B	36 mm
d	6.6 mm
dn	12.5 mm
D1	18 mm
D2	39.8 mm
G1	M37x1-M
G2	G1/8"-F
G4	G1/4"-F
G5	M5-F
H	65.1 mm
H1	69.6 mm
H3	17.6 mm
H4	9 mm

Contact to Schmalz

J. Schmalz GmbH | Johannes-Schmalz-Straße, 72293 Glatten, Deutschland | +49 7443 2403-102 | customercenter@schmalz.de

Attribute	Value
H5	9.5 mm
L1	74.9 mm
LG1	4.5 mm
X1	42 mm
Y1	25.5 mm

Technical Data

Attribute	Value
Design	Blow-off function
Mounting	Assembly laterally
Suction rate	270 ... 650 l/min
Suction rate	16.2 ... 39.0 m ³ /h
Air consumption	60 ... 200 l/min
Air consumption	3.6 ... 12.0 m ³ /h
Pressure range (operating pressure)	1.0 ... 5.0 bar
Ambient temperature	5 ... 75 °C
Weight	109 g

Note:

- Compressed-air consumption: The specified value can be equal for suction and blow-off. Operating pressures below 1 bar are possible but have to be tested individually

Accessories

Contact to Schmalz



SAUG-FL SCG 40 POM

Part no. 10.01.30.00030

Suction plate

External diameter D: 40 mm

Height H: 9.5 mm

Suction cup material:

Polyoxymethylene

for: Flow Grippers



SAUG-FL SCG 60 POM

Part no. 10.01.30.00031

Suction plate

External diameter D: 60 mm

Height H: 9.5 mm

Suction cup material:

Polyoxymethylene

for: Flow Grippers



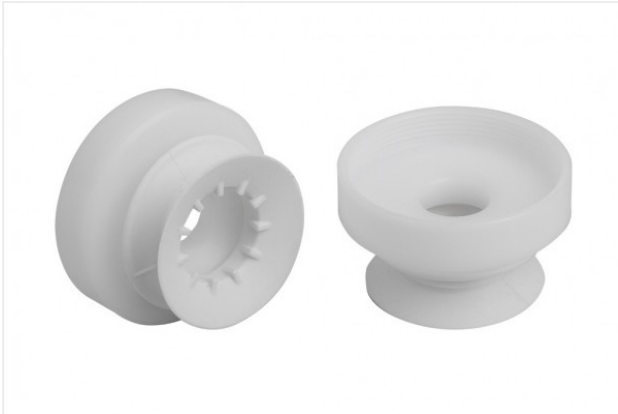
SAUG-SCG 20 SI-HD

Part no. 10.01.30.00661

Flat suction cup (round)

Size: 20

Suction cup material: Silicone SI-HD



SAUG-SCG 30 SI-HD

Part no. 10.01.30.00655

Flat suction cup (round)

Size: 30

Suction cup material: Silicone SI-HD



SAUG-SCG 40 SI-HD

Part no. 10.01.30.00660

Flat suction cup (round)

Size: 40

Suction cup material: Silicone SI-HD



SAUG-SCG 50 SI-HD

Part no. 10.01.30.00593

Flat suction cup (round)

Size: 50

Suction cup material: Silicone SI-HD



SAUG-SCG 20 NBR-AS-55

Part no. 10.01.30.00716

Flat suction cup (round)

Size: 20

Suction cup material:

Nitrile rubber NBR-antistat

Material hardness: 55 °Sh



SAUG-SCG 30 NBR-AS-55

Part no. 10.01.30.00717

Flat suction cup (round)

Size: 30

Suction cup material:

Nitrile rubber NBR-antistat

Material hardness: 55 °Sh



SAUG-SCG 40 NBR-AS-55

Part no. 10.01.30.00718

Flat suction cup (round)

Size: 40

Suction cup material:

Nitrile rubber NBR-antistat

Material hardness: 55 °Sh



SAUG-SCG 50 NBR-AS-55

Part no. 10.01.30.00719

Flat suction cup (round)

Size: 50

Suction cup material:

Nitrile rubber NBR-antistat

Material hardness: 55 °Sh



STV-W G1/8-AG 6

Part no. 10.08.02.00288

Screw plug connection, swivelling elbow

Thread G1: G1/8-M

External hose diameter: 6 mm

Material: Plastic



STV-W M5-AG 6

Part no. 10.08.02.00296

Screw plug connection, swivelling elbow

Thread G1: M5-M

External hose diameter: 6 mm

Material: Plastic

**SD G3/8-AG 40x80 SCG**

Part no. 10.01.30.00352

Silencer for vacuum generators

Thread 1: G3/8-M

External diameter: 40 mm

Length: 80 mm

for: Composite gripper

**VSL 26-19 PVC-DS**

Part no. 10.07.09.00007

Hose for vacuum and compressed-air systems

External diameter D: 26 mm

Internal diameter d: 19 mm

Length (max): 50 m

Material: PVC, with wire spiral

Installation radius (min): 85 mm

Pressure range (operating pressure):

-0.90 ... 5.00 bar

Ambient temperature: -20 ... 70 °C