

Suction area

SAUG-FL SCG 40 POM

<https://www.schmalz.com/10.01.30.00030>



Part no.: 10.01.30.00030

Homepage > Vacuum Technology for Automation > Vacuum Components > Special Grippers > Flow Grippers > Suction Cups for Flow Grippers

SCG > SAUG-FL SCG 40 POM

Suction plate

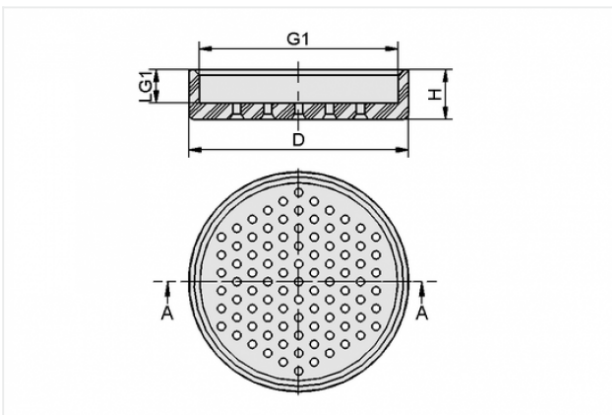


External diameter D: 40 mm

Height H: 9.5 mm

Suction cup material:
Polyoxymethylene
for: Flow Grippers

Design Data



Attribute	Value
-----------	-------

D	40 mm
---	-------

G1	M37x1-F
----	---------

H	9.5 mm
---	--------

LG1	6.5 mm
-----	--------

Technical Data

Attribute	Value
-----------	-------

Holding force	2 ... 10 N
---------------	------------

Suction cup material	Polyoxymethylene
----------------------	------------------

Contact to Schmalz

J. Schmalz GmbH | Johannes-Schmalz-Straße, 72293 Glatten, Deutschland | +49 7443 2403-102 | customercenter@schmalz.de

Attribute	Value
Weight	6.5 g

Accessories



SCG 1xE100 A MA

Part no. 10.01.30.00092

Flow Grippers for handling sensitive components

Number of ejectors: 1

Performance class: E100

with: Blow-off function

Mounting: Assembly axially



SCG 1xE100 A MS

Part no. 10.01.30.00170

Flow Grippers for handling sensitive components

Number of ejectors: 1

Performance class: E100

with: Blow-off function

Mounting: Assembly laterally



SCG 1xE100 A MA SDA

Part no. 10.01.30.00359

Flow Grippers for handling sensitive components

Number of ejectors: 1

Performance class: E100

with: Blow-off function

Mounting: Assembly axially

with: Axial silencer



SCG 1xE100 A MS SDA

Part no. 10.01.30.00360

Flow Grippers for handling sensitive components

Number of ejectors: 1

Performance class: E100

with: Blow-off function

Mounting: Assembly laterally

with: Axial silencer