

Wafer Gripper (mod)

SWGm-5S W 115x115x65 PEEK

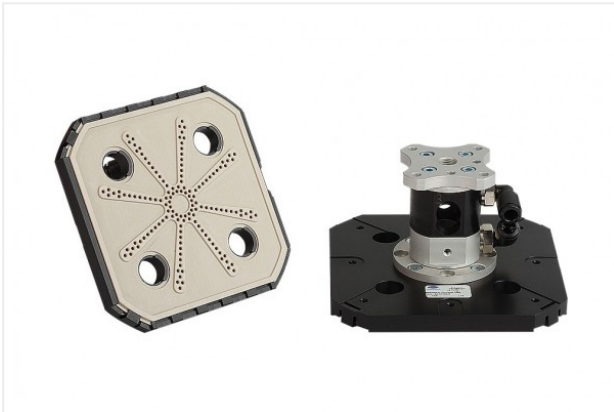
<https://www.schmalz.com/10.01.30.00193>



Part no.: 10.01.30.00193

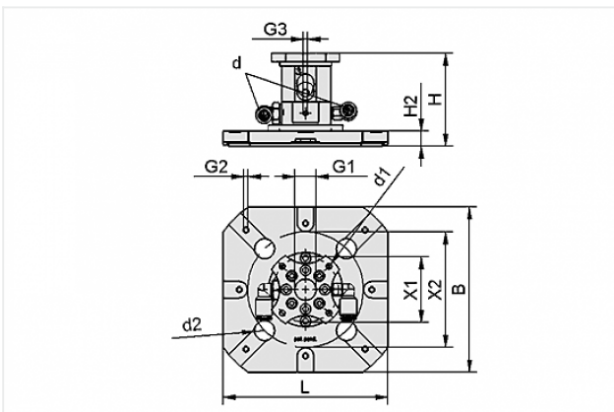
Homepage > Vacuum Technology for Automation > Vacuum Components > Special Grippers > Wafer Grippers > Wafer Grippers SWGm Wet > SWGm-5S W 115x115x65 PEEK

Wafer gripper for fast and careful handling of photovoltaic components



Shape: Sidewise exhaust air
for: wet wafers
Length L: 115 mm
Width B: 115 mm
Height H: 65 mm
Material: Polyetheretherketon

Design Data



Attribute	Value
B	115 mm
d	6 mm
d1	4.5 mm
d2	14 mm
G1	G1/8"-F
G2	M4-F
G3	M4-F
H	65 mm
H2	10.5 mm
L	115 mm
X1	46 mm
X2	80.6 mm

Contact to Schmalz

J. Schmalz GmbH | Johannes-Schmalz-Straße, 72293 Glatten, Deutschland | +49 7443 2403-102 | customercenter@schmalz.de

Technical Data

Attribute	Value
Pressure range (operating pressure)	1.0 ... 3.0 bar
Size	5
Design	Sidewise exhaust air
Suction rate	160 ... 235 l/min
Air consumption	60 ... 120 l/min
Weight	250 g
