

Flange plate (round)

FLAN-PL 55x7.5-EL1

Part no.: 10.01.30.00208

<https://www.schmalz.com/10.01.30.00208>



Homepage > Vacuum Technology for Automation > Vacuum Components > Special Grippers > Thin glass grippers > Accessories STGG > FLAN-PL 55x7.5-EL1

Flange plate (round)

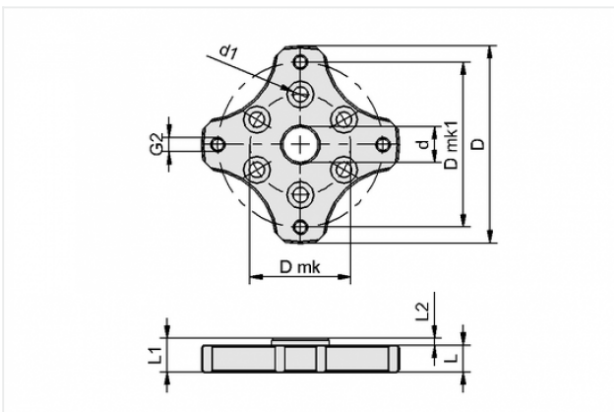


External diameter D: 55 mm

Length L: 7.5 mm

Size: EL1

Design Data



| Attribute | Value |
|-----------|-------|
|-----------|-------|

| | |
|---|-------|
| d | 10 mm |
|---|-------|

| | |
|----|--------|
| d1 | 4.3 mm |
|----|--------|

| | |
|---|-------|
| D | 55 mm |
|---|-------|

| | |
|------|-------|
| D mk | 28 mm |
|------|-------|

| | |
|-------|-------|
| D mk1 | 46 mm |
|-------|-------|

| | |
|----|------|
| G2 | M4-F |
|----|------|

| | |
|---|--------|
| L | 7.5 mm |
|---|--------|

| | |
|----|--------|
| L1 | 9.5 mm |
|----|--------|

| | |
|----|------|
| L2 | 2 mm |
|----|------|

Contact to Schmalz

J. Schmalz GmbH | Johannes-Schmalz-Straße, 72293 Glatten, Deutschland | +49 7443 2403-102 | customercenter@schmalz.de



Technical Data

| Attribute | Value |
|-----------|--------|
| Weight | 34.9 g |

[Contact to Schmalz](#)

J. Schmalz GmbH | Johannes-Schmalz-Straße, 72293 Glatten, Deutschland | +49 7443 2403-102 | customercenter@schmalz.de