

Flange plate (round)

FLAN-PL 55x7.5-AB1

Part no.:10.01.30.00015

<https://www.schmalz.com/10.01.30.00015>

Homepage > Vacuum Technology for Automation > Vacuum Components > Area Gripping Systems and End Effectors > Vacuum End Effectors

VEE > Flange Plates FLAN-PL > FLAN-PL 55x7.5-AB1

Flange plate (round)

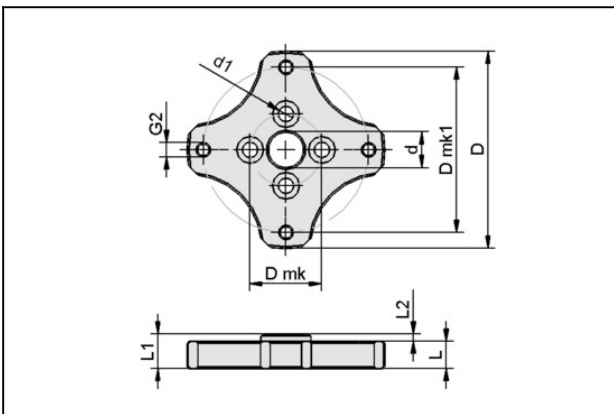


External diameter D: 55 mm

Length L: 7.5 mm

Size: AB1

Design Data



Attribute	Value
d	10 mm
d1	4.3 mm
D	55 mm
Dmk	20 mm
D mk1	46 mm
G2	M4-F
L	7.5 mm
L1	9.5 mm
L2	2 mm

Technical Data

Contact to Schmalz

J. Schmalz GmbH | Johannes-Schmalz-Straße, 72293 Glatten, Deutschland | +49 7443 2403-102 | customercenter@schmalz.de

Flange plate (round)

FLAN-PL 55x7.5-AB1

Part no.:10.01.30.00015

<https://www.schmalz.com/10.01.30.00015>



Attribute	Value
Pressure range (operating pressure)	bar
Weight	36 g

