

# Flange plate (round)

## FLAN-PL 55x7.5-AB1

Part no.: 10.01.30.00015

<https://www.schmalz.com/10.01.30.00015>



Homepage > Vacuum Technology for Automation > Vacuum Components > Special Grippers > Thin glass grippers > Accessories STGG > FLAN-PL 55x7.5-AB1

## Flange plate (round)

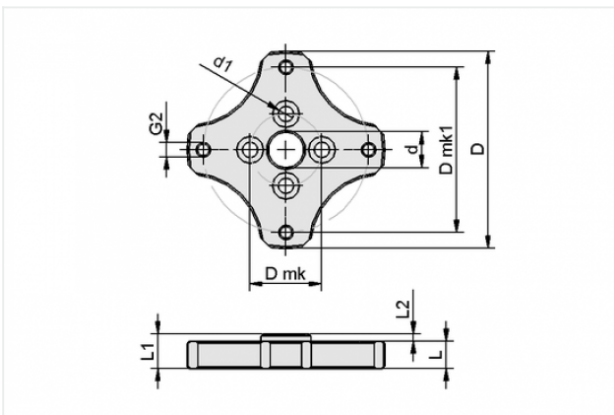


External diameter D: 55 mm

Length L: 7.5 mm

Size: AB1

## Design Data



Attribute	Value
-----------	-------

d	10 mm
---	-------

d1	4.3 mm
----	--------

D	55 mm
---	-------

D mk	20 mm
------	-------

D mk1	46 mm
-------	-------

G2	M4-F
----	------

L	7.5 mm
---	--------

L1	9.5 mm
----	--------

L2	2 mm
----	------

## Contact to Schmalz

J. Schmalz GmbH | Johannes-Schmalz-Straße, 72293 Glatten, Deutschland | +49 7443 2403-102 | [customercenter@schmalz.de](mailto:customercenter@schmalz.de)



## Technical Data

Attribute	Value
Weight	36 g

### Contact to Schmalz

J. Schmalz GmbH | Johannes-Schmalz-Straße, 72293 Glatten, Deutschland | +49 7443 2403-102 | [customercenter@schmalz.de](mailto:customercenter@schmalz.de)