

Wafer Gripper (mod)

SWGm-5S 115x115x65
1xE100 A PEEK

Part no.: 10.01.30.00137

<https://www.schmalz.com/10.01.30.00137>



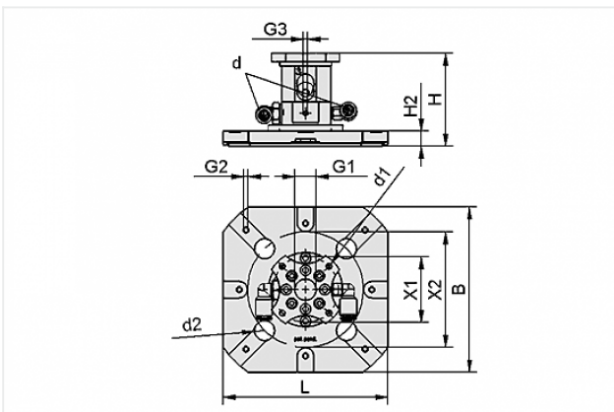
Homepage > Vacuum Technology for Automation > Vacuum Components > Special Grippers > Wafer Grippers > Wafer Grippers SWGm > SWGm-5S 115x115x65 1xE100 A PEEK

Wafer gripper for fast and careful handling of photovoltaic components



Shape: Sidewise exhaust air
Length L: 115 mm
Width B: 115 mm
Height H: 65 mm
Number of ejectors: 1
Performance class: E100
Shape: Blow-off function
Material: Polyetheretherketon

Design Data



Attribute	Value
B	115 mm
d	6 mm
d1	4 mm
d2	14 mm
G1	G3/8"-F
G2	M4-F
G3	M4-F
H	65 mm
H2	10.5 mm
L	115 mm
X1	46 mm
X2	80.6 mm

Contact to Schmalz

J. Schmalz GmbH | Johannes-Schmalz-Straße, 72293 Glatten, Deutschland | +49 7443 2403-102 | customercenter@schmalz.de

Technical Data

Attribute	Value
Pressure range (operating pressure)	1.0 ... 3.0 bar
Size	5
Design	Sidewise exhaust air
Holding force	10 ... 35 N
Suction rate	160 ... 235 l/min
Air consumption	60 ... 120 l/min
Ambient temperature	5 ... 75 °C
Weight	235 g

Spare Parts



SAUG-FL SWGm-5 110x110 PEEK

Part no. 10.01.30.00125

Suction plate

Length L: 110 mm

Width B: 110 mm

Height H: 3 mm

Suction cup material:

Polyetheretherketon

for: Wafer gripper (mod)

Accessories

Contact to Schmalz

J. Schmalz GmbH | Johannes-Schmalz-Straße, 72293 Glatten, Deutschland | +49 7443 2403-102 |
customercenter@schmalz.de



FLAN-PL 55x7.5-AB1

Part no. 10.01.30.00015
Flange plate (round)
External diameter D: 55 mm
Length L: 7.5 mm
Size: AB1



FLAN-PL 63x10.5-AD1

Part no. 10.01.30.00016
Flange plate (round)
External diameter D: 63 mm
Length L: 10.5 mm
Size: AD1



FLAN-PL 63x11.5-UNI

Part no. 10.01.30.00017
Flange plate (round)
External diameter D: 63 mm
Length L: 11.5 mm
Size: UNI



FLAN-PL 80x9-ST1
Part no. 10.01.30.00167
Flange plate (round)
External diameter: 80 mm
Length: 9 mm
Size: ST1



FLAN-PL 55x9.5-JP1
Part no. 10.01.30.00194
Flange plate (round)
External diameter D: 55 mm
Length L: 9.5 mm
Size: JP1



FLAN-PL 55x7.5-EL1
Part no. 10.01.30.00208
Flange plate (round)
External diameter D: 55 mm
Length L: 7.5 mm
Size: EL1



HTR-UNI SWGm

Part no. 10.01.30.00117

Holder system

Cross-beam connection:

Universal holder

for: Wafer gripper (mod)



HTR M8x1-IG SWGm

Part no. 10.01.30.00118

Holder system

Thread G1: M8x1-F

for: Wafer gripper (mod)



HTR M12x1-IG SWGm

Part no. 10.01.30.00119

Holder system

Thread G1: M12x1-F

for: Wafer gripper (mod)



SD-MOD 4 32x15x35 FG 9 SWGm

Part no. 10.01.30.00121
 Suction-/ Absorption module
 Internal diameter: 4 mm
 Length: 32 mm
 Width: 15 mm
 Height: 35 mm
 Hose diameter: 4 mm
 Suct. pads: Bellows suct. pad FG
 Diameter: 9 mm
 for: Wafer gripper (mod)



ABL-SET 14 SWG/SCG

Part no. 10.01.30.00059
 Exhaust air set
 External hose diameter: 14 mm
 for: Wafer-/Coanda gripper



EMV 1.5 24V-DC 3/2 NC K-2P

Part no. 10.05.01.00288
 Solenoid valve EMV for direct control of compressed air
 Nominal size: 1.5 mm
 Voltage: 24V - DC
 Function: 3/2-way valve
 Control: Normally closed
 Connecting thread: M5-M
 contains: Cable 2
 Cable length: 3 m



EMV 2.5 24V-DC 3/2 NC K-2P

Part no. 10.05.01.00289

Solenoid valve EMV for direct control of compressed air

Nominal size: 2.5 mm

Voltage: 24V - DC

Function: 3/2-way valve

Control: Normally closed

Connecting thread: G1/8-M

contains: Cable 2

Cable length: 3 m



SBSm 14 90-3 4/2 0

Part no. 10.01.01.12912

Floating suction cup module for increasing the transfer height of sensitive workpieces

Width B: 14 mm

Angle of radiation: 90 °

Number of holes: 3

Connection: Hose 4/2

Slewing angle W: 0 °