

Suction area

<https://www.schmalz.com/10.01.30.00126>



SAUG-FL SWGm-6 141x141 PEEK

Part no.: 10.01.30.00126

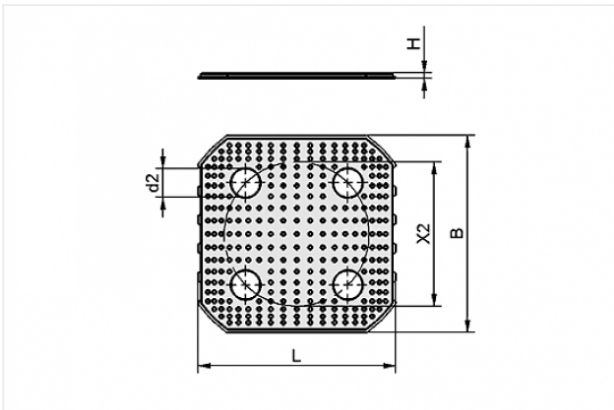
Homepage > Vacuum Technology for Automation > Vacuum Components > Special Grippers > Wafer Grippers > SAUG-FL SWGm-6 141x141 PEEK

Suction plate



Length L: 141 mm
Width B: 141 mm
Height H: 3 mm
Suction cup material:
Polyetheretherketon
for: Wafer gripper (mod)

Design Data



Attribute	Value
B	141 mm
d2	16 mm
H	3 mm
X2	110.6 mm

Technical Data

Attribute	Value
Suction cup material	Polyetheretherketon
Weight	63.3 g

Contact to Schmalz

J. Schmalz GmbH | Johannes-Schmalz-Straße, 72293 Glatten, Deutschland | +49 7443 2403-102 | customercenter@schmalz.de

