

## Suction area

<https://www.schmalz.com/10.01.30.00125>



### SAUG-FL SWGm-5 110x110 PEEK

Part no.: 10.01.30.00125

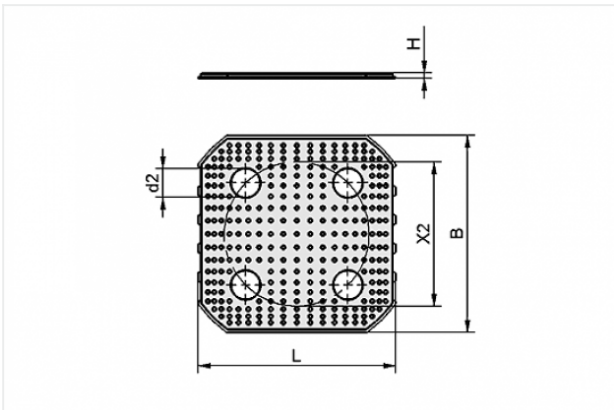
Homepage > Vacuum Technology for Automation > Vacuum Components > Special Grippers > Wafer Grippers > SAUG-FL SWGm-5 110x110 PEEK

## Suction plate



Length L: 110 mm  
Width B: 110 mm  
Height H: 3 mm  
Suction cup material:  
Polyetheretherketon  
for: Wafer gripper (mod)

## Design Data



Attribute	Value
B	110 mm
d2	16 mm
H	3 mm
X2	80.6 mm

## Technical Data

Attribute	Value
Suction cup material	Polyetheretherketon
Weight	36.5 g

## Contact to Schmalz

J. Schmalz GmbH | Johannes-Schmalz-Straße, 72293 Glatten, Deutschland | +49 7443 2403-102 | [customercenter@schmalz.de](mailto:customercenter@schmalz.de)

