

Solenoid valve pressure

<https://www.schmalz.com/10.05.01.00288>



EMV 1.5 24V-DC 3/2 NC K-2P

Part no.: 10.05.01.00288

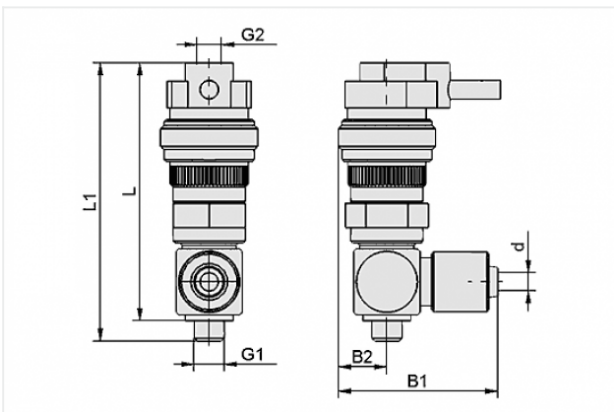
Homepage > Vacuum Technology for Automation > Vacuum Components > Valve Technology > Solenoid Valves > Solenoid Valves EMV > EMV 1.5 24V-DC 3/2 NC K-2P

Solenoid valve EMV for direct control of compressed air



Nominal size: 1.5 mm
Voltage: 24V - DC
Function: 3/2-way valve
Control: Normally closed
Connecting thread: M5-M
contains: Cable 2
Cable length: 3 m

Design Data



| Attribute | Value |
|-----------|-------|
|-----------|-------|

| | |
|----|---------|
| B1 | 26.6 mm |
|----|---------|

| | |
|----|--------|
| B2 | 8.1 mm |
|----|--------|

| | |
|---|------|
| d | 4 mm |
|---|------|

| | |
|----|------|
| G1 | M5-M |
|----|------|

| | |
|----|------|
| G2 | M5-F |
|----|------|

| | |
|---|---------|
| L | 43.1 mm |
|---|---------|

| | |
|----|---------|
| L1 | 46.5 mm |
|----|---------|

Technical Data

| Attribute | Value |
|-----------|-------|
|-----------|-------|

| | |
|--------------|--------|
| Nominal size | 1.5 mm |
|--------------|--------|

Contact to Schmalz

J. Schmalz GmbH | Johannes-Schmalz-Straße, 72293 Glatten, Deutschland | +49 7443 2403-102 | customercenter@schmalz.de



| Attribute | Value |
|-------------------|-----------------------|
| Control | Normally closed |
| Nominal flow rate | 45 l/min |
| Nominal flow rate | 2.7 m ³ /h |
| Voltage | 24V - DC |
| Weight | 0.065 kg |
