

Suction-/ Absorption module

<https://www.schmalz.com/10.01.30.00121>



SD-MOD 4 32x15x35 FG 9 SWGm

Part no.: 10.01.30.00121

Homepage > Vacuum Technology for Automation > Vacuum Components > Special Grippers > Thin glass grippers > Accessories STGG > SD-MOD

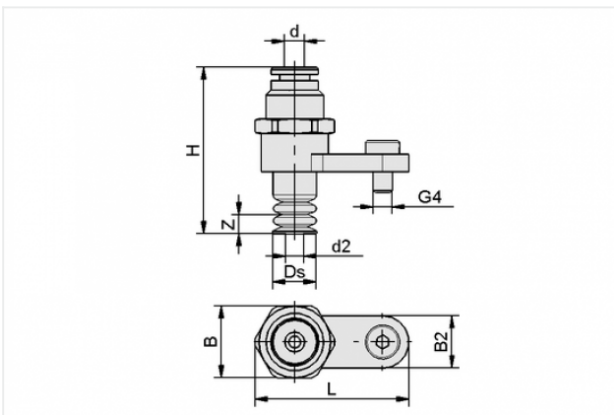
4 32x15x35 FG 9 SWGm

Suction-/ Absorption module



Internal diameter: 4 mm
Length: 32 mm
Width: 15 mm
Height: 35 mm
Hose diameter: 4 mm
Suct. pads: Bellows suct. pad FG
Diameter: 9 mm
for: Wafer gripper (mod)

Design Data



Attribute Value

B	15 mm
B2	11 mm
d	4 mm
d2	4.1 mm
Ds	9 mm
G4	M4-M
H	35 mm
L	32 mm
Z	3 mm

Contact to Schmalz

J. Schmalz GmbH | Johannes-Schmalz-Straße, 72293 Glatten, Deutschland | +49 7443 2403-102 | customercenter@schmalz.de



Technical Data

Attribute	Value
Weight	10.4 g

Contact to Schmalz

J. Schmalz GmbH | Johannes-Schmalz-Straße, 72293 Glatten, Deutschland | +49 7443 2403-102 | customercenter@schmalz.de