

Holder system

HTR M8x1-IG SWGm

<https://www.schmalz.com/10.01.30.00118>



Part no.: 10.01.30.00118

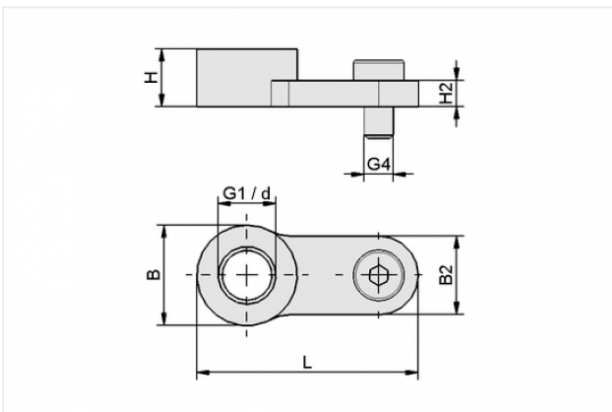
Homepage > Vacuum Technology for Automation > Vacuum Components > Special Grippers > Thin glass grippers > Accessories STGG > HTR M8x1-IG SWGm

Holder system



Thread G1: M8x1-F
for: Wafer gripper (mod)

Design Data



Attribute	Value
B	14 mm
B2	11 mm
G1	M8x1-F
G4	M4-M
H	8 mm
H2	3.6 mm
L	30.9 mm

Technical Data

Attribute	Value
Weight	5.8 g

Contact to Schmalz

J. Schmalz GmbH | Johannes-Schmalz-Straße, 72293 Glatten, Deutschland | +49 7443 2403-102 | customercenter@schmalz.de



[Contact to Schmalz](#)

J. Schmalz GmbH | Johannes-Schmalz-Straße, 72293 Glatten, Deutschland | +49 7443 2403-102 |
customercenter@schmalz.de