

Holder system

HTR-UNI SWGm

Part no.: 10.01.30.00117

<https://www.schmalz.com/10.01.30.00117>



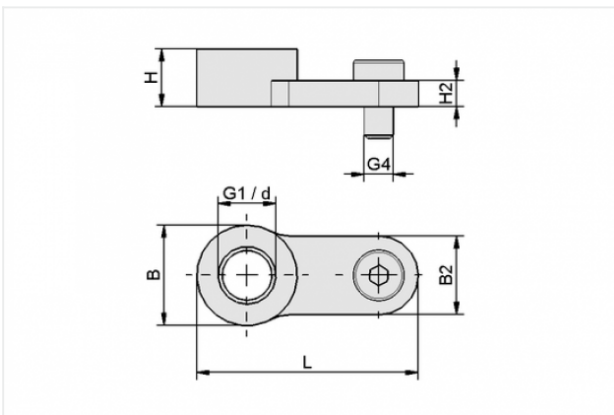
Homepage > Vacuum Technology for Automation > Vacuum Components > Special Grippers > Thin glass grippers > Accessories STGG > HTR-UNI SWGm

Holder system



Cross-beam connection:
Universal holder
for: Wafer gripper (mod)

Design Data



Attribute	Value
-----------	-------

B	14 mm
---	-------

B2	11 mm
----	-------

d	1.6 mm
---	--------

G4	M4-M
----	------

H	8 mm
---	------

H2	3.6 mm
----	--------

L	30.9 mm
---	---------

Technical Data

Attribute	Value
-----------	-------

Weight	8.2 g
--------	-------

Contact to Schmalz

J. Schmalz GmbH | Johannes-Schmalz-Straße, 72293 Glatten, Deutschland | +49 7443 2403-102 | customercenter@schmalz.de



[Contact to Schmalz](#)

J. Schmalz GmbH | Johannes-Schmalz-Straße, 72293 Glatten, Deutschland | +49 7443 2403-102 |
customercenter@schmalz.de