

Flange plate (round)

FLAN-PL 55x9.5-JP1

Part no.:10.01.30.00194

<https://www.schmalz.com/10.01.30.00194>

Homepage > Vacuum Technology for Automation > Vacuum Components > Area Gripping Systems and End Effectors > Vacuum End Effectors

VEE > Flange Plates FLAN-PL > FLAN-PL 55x9.5-JP1

Flange plate (round)

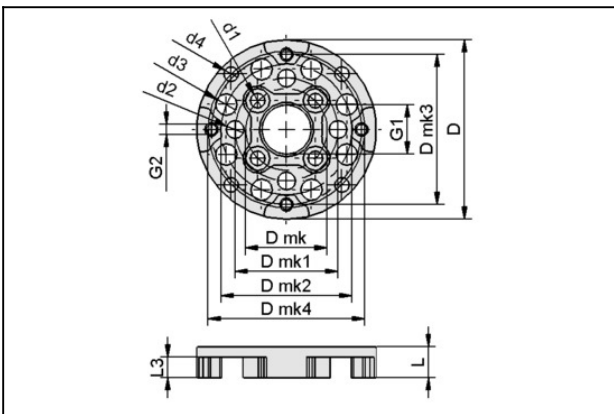


External diameter D: 55 mm

Length L: 9.5 mm

Size: JP1

Design Data



Attribute	Value
d1	4.5 mm
d2	5.5 mm
D	55 mm
Dmk	25 mm
D mk1	31.5 mm
D mk2	40 mm
D mk3	46 mm
D mk4	48 mm
G1	G3/8"-F
G2	M4-F
L	9.5 mm
L3	6.3 mm

Flange plate (round)

FLAN-PL 55x9.5-JP1

Part no.:10.01.30.00194

<https://www.schmalz.com/10.01.30.00194>



Technical Data

Attribute	Value
Pressure range (operating pressure)	bar
Weight	27 g