

Flange plate (round)

FLAN-PL 55x9.5-JP1

Part no.: 10.01.30.00194

<https://www.schmalz.com/10.01.30.00194>



Homepage > Vacuum Technology for Automation > Vacuum Components > Special Grippers > Thin glass grippers > Accessories STGG > FLAN-PL 55x9.5-JP1

Flange plate (round)

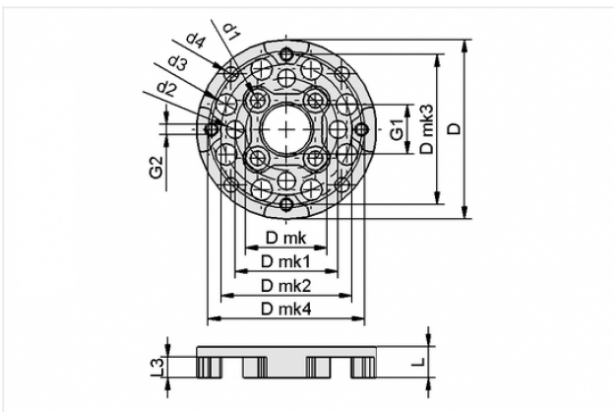


External diameter D: 55 mm

Length L: 9.5 mm

Size: JP1

Design Data



Attribute	Value
-----------	-------

d1	4.5 mm
----	--------

d2	5.5 mm
----	--------

d3	6.6 mm
----	--------

d4	4.5 mm
----	--------

D	55 mm
---	-------

D mk	25 mm
------	-------

D mk1	31.5 mm
-------	---------

D mk2	40 mm
-------	-------

D mk3	46 mm
-------	-------

D mk4	48 mm
-------	-------

G1	G3/8"-F
----	---------

G2	M4-F
----	------

L	9.5 mm
---	--------

Contact to Schmalz

J. Schmalz GmbH | Johannes-Schmalz-Straße, 72293 Glatten, Deutschland | +49 7443 2403-102 | customercenter@schmalz.de



Attribute	Value
L3	6.3 mm

Technical Data

Attribute	Value
Weight	27 g
