

Flange plate (round)

FLAN-PL 80x9-ST1

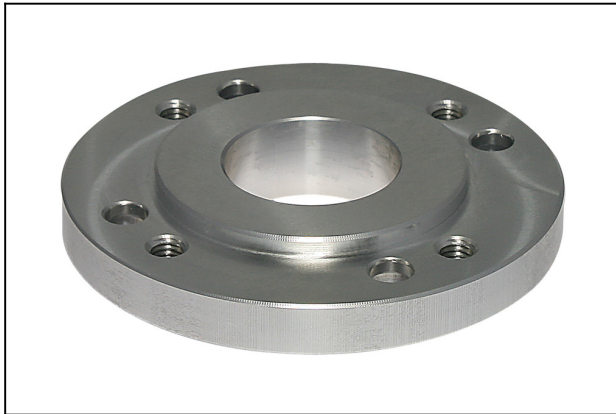
Part no.:10.01.30.00167

<https://www.schmalz.com/10.01.30.00167>

Homepage > Vacuum Technology for Automation > Vacuum Components > Area Gripping Systems and End Effectors > Vacuum End Effectors

VEE > Flange Plates FLAN-PL > FLAN-PL 80x9-ST1

Flange plate (round)

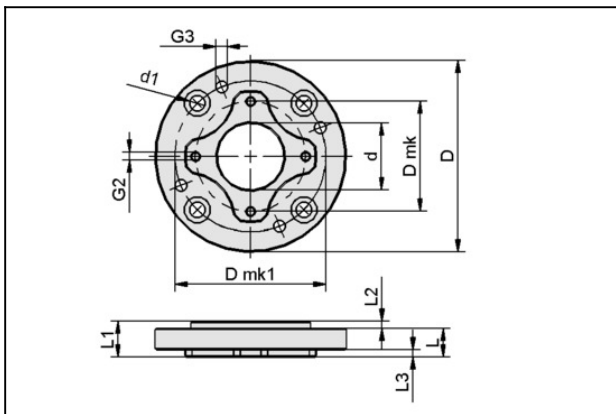


External diameter: 80 mm

Length: 9 mm

Size: ST1

Design Data



Attribute	Value
d	28 mm
d1	7 mm
D	80 mm
Dmk	46 mm
D mk1	63 mm
G2	M4-F
G3	M6-F
L	9 mm
L1	12 mm
L2	3 mm
L3	3 mm

Flange plate (round)

FLAN-PL 80x9-ST1

Part no.:10.01.30.00167

<https://www.schmalz.com/10.01.30.00167>



Technical Data

Attribute	Value
Pressure range (operating pressure)	bar
Weight	153 g
