

# Flange plate (round)

## FLAN-PL 80x9-ST1

Part no.: 10.01.30.00167

<https://www.schmalz.com/10.01.30.00167>



Homepage > Vacuum Technology for Automation > Vacuum Components > Special Grippers > Thin glass grippers > Accessories STGG > FLAN-PL 80x9-ST1

## Flange plate (round)

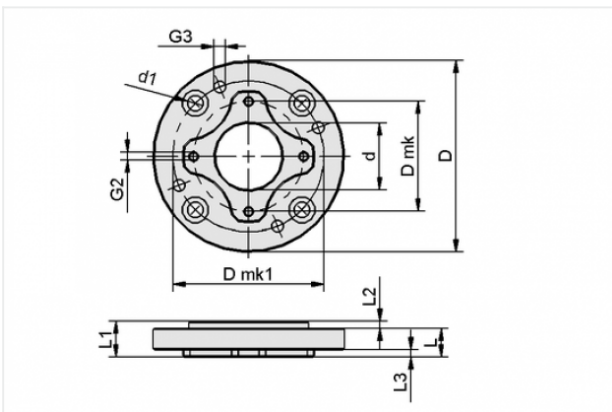


External diameter: 80 mm

Length: 9 mm

Size: ST1

## Design Data



Attribute	Value
-----------	-------

d	28 mm
---	-------

d1	7 mm
----	------

D	80 mm
---	-------

D mk	46 mm
------	-------

D mk1	63 mm
-------	-------

G2	M4-F
----	------

G3	M6-F
----	------

L	9 mm
---	------

L1	12 mm
----	-------

L2	3 mm
----	------

L3	3 mm
----	------

## Contact to Schmalz

J. Schmalz GmbH | Johannes-Schmalz-Straße, 72293 Glatten, Deutschland | +49 7443 2403-102 | [customercenter@schmalz.de](mailto:customercenter@schmalz.de)



## Technical Data

Attribute	Value
Weight	153 g

### [Contact to Schmalz](#)

J. Schmalz GmbH | Johannes-Schmalz-Straße, 72293 Glatten, Deutschland | +49 7443 2403-102 | [customercenter@schmalz.de](mailto:customercenter@schmalz.de)