

## Flange plate (round)

FLAN-PL 63x11.5-UNI

Part no.:10.01.30.00017

<https://www.schmalz.com/10.01.30.00017>

Homepage > Vacuum Technology for Automation > Vacuum Components > Area Gripping Systems and End Effectors > Vacuum End Effectors

VEE > Flange Plates FLAN-PL > FLAN-PL 63x11.5-UNI

## Flange plate (round)

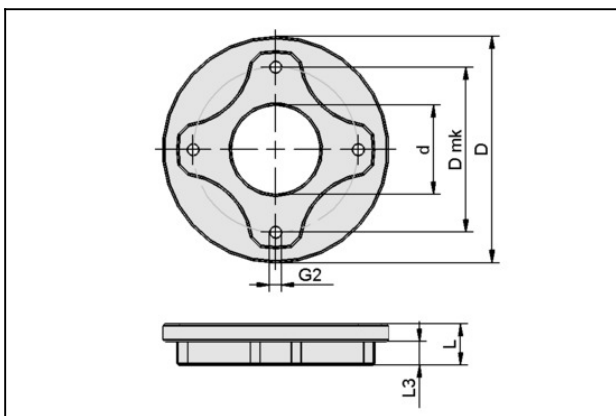


External diameter D: 63 mm

Length L: 11.5 mm

Size: UNI

## Design Data



Attribute	Value
d	25 mm
D	63 mm
Dmk	46 mm
G2	M4-F
L	11.5 mm
L3	6.5 mm

## Technical Data

Attribute	Value
Pressure range (operating pressure)	bar
Weight	62 g

## Contact to Schmalz

J. Schmalz GmbH | Johannes-Schmalz-Straße, 72293 Glatten, Deutschland | +49 7443 2403-102 | [customercenter@schmalz.de](mailto:customercenter@schmalz.de)

## Flange plate (round)

FLAN-PL 63x11.5-UNI

Part no.:10.01.30.00017

<https://www.schmalz.com/10.01.30.00017>

---

---

