

Flange plate (round)

FLAN-PL 63x11.5-UNI

Part no.: 10.01.30.00017

<https://www.schmalz.com/10.01.30.00017>



Homepage > Vacuum Technology for Automation > Vacuum Components > Special Grippers > Thin glass grippers > Accessories STGG > FLAN-PL 63x11.5-UNI

Flange plate (round)

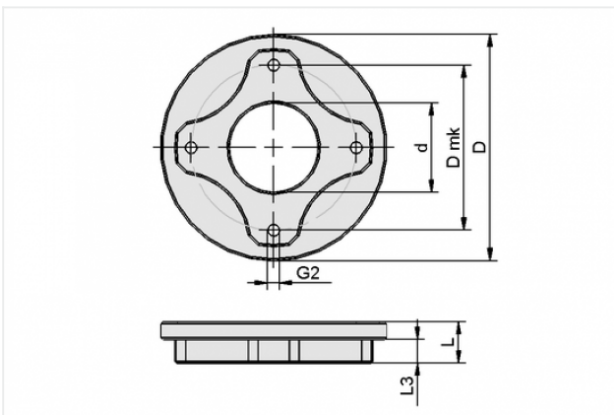


External diameter D: 63 mm

Length L: 11.5 mm

Size: UNI

Design Data



Attribute	Value
-----------	-------

d	25 mm
---	-------

D	63 mm
---	-------

D mk	46 mm
------	-------

G2	M4-F
----	------

L	11.5 mm
---	---------

L3	6.5 mm
----	--------

Technical Data

Attribute	Value
-----------	-------

Weight	62 g
--------	------

Contact to Schmalz

J. Schmalz GmbH | Johannes-Schmalz-Straße, 72293 Glatten, Deutschland | +49 7443 2403-102 | customercenter@schmalz.de

