

Flange plate (round)

FLAN-PL 63x10.5-AD1

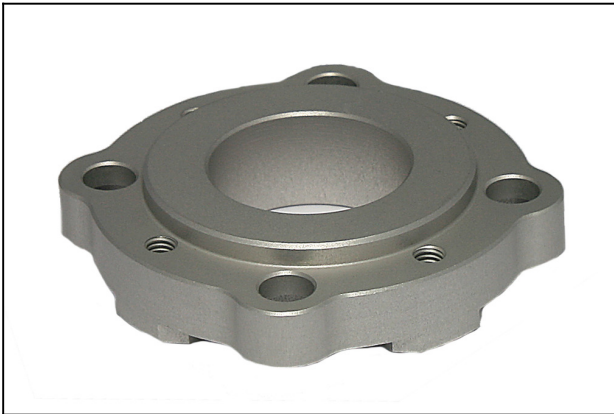
Part no.:10.01.30.00016

<https://www.schmalz.com/10.01.30.00016>

Homepage > Vacuum Technology for Automation > Vacuum Components > Area Gripping Systems and End Effectors > Vacuum End Effectors

VEE > Flange Plates FLAN-PL > FLAN-PL 63x10.5-AD1

Flange plate (round)

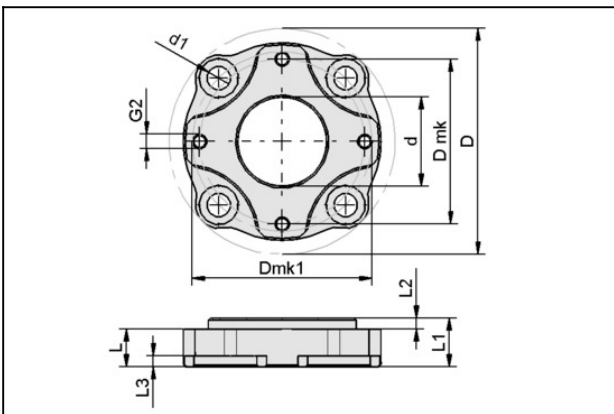


External diameter D: 63 mm

Length L: 10.5 mm

Size: AD1

Design Data



Attribute	Value
d	21 mm
d1	6.6 mm
D	63 mm
Dmk	46 mm
D mk1	50 mm
G2	M4-F
L	10.5 mm
L1	13.5 mm
L2	3 mm
L3	3 mm

Flange plate (round)

FLAN-PL 63x10.5-AD1

Part no.:10.01.30.00016

<https://www.schmalz.com/10.01.30.00016>



Technical Data

Attribute	Value
Pressure range (operating pressure)	bar
Weight	57.5 g