

Flange plate (round)

FLAN-PL 63x10.5-AD1

Part no.: 10.01.30.00016

<https://www.schmalz.com/10.01.30.00016>



Homepage > Vacuum Technology for Automation > Vacuum Components > Special Grippers > Thin glass grippers > Accessories STGG > FLAN-PL 63x10.5-AD1

Flange plate (round)

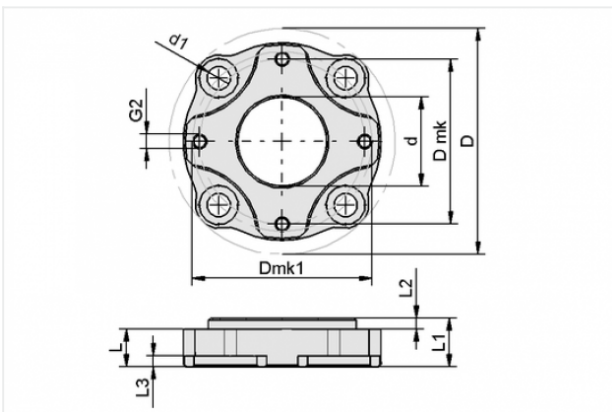


External diameter D: 63 mm

Length L: 10.5 mm

Size: AD1

Design Data



Attribute	Value
-----------	-------

d	21 mm
---	-------

d1	6.6 mm
----	--------

D	63 mm
---	-------

D mk	46 mm
------	-------

D mk1	50 mm
-------	-------

G2	M4-F
----	------

L	10.5 mm
---	---------

L1	13.5 mm
----	---------

L2	3 mm
----	------

L3	3 mm
----	------

Contact to Schmalz

J. Schmalz GmbH | Johannes-Schmalz-Straße, 72293 Glatten, Deutschland | +49 7443 2403-102 | customercenter@schmalz.de



Technical Data

Attribute	Value
Weight	57.5 g

Contact to Schmalz

J. Schmalz GmbH | Johannes-Schmalz-Straße, 72293 Glatten, Deutschland | +49 7443 2403-102 | customercenter@schmalz.de