

Wafer Gripper (mod)

SWGm-5A 115x115x40
1xE100 A PEEK

Part no.: 10.01.30.00135

<https://www.schmalz.com/10.01.30.00135>



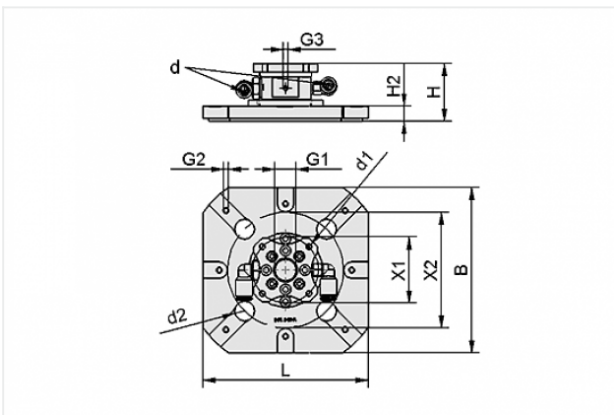
Homepage > Vacuum Technology for Automation > Vacuum Components > Special Grippers > Wafer Grippers > Wafer Grippers SWGm > SWGm-5A 115x115x40 1xE100 A PEEK

Wafer gripper for fast and careful handling of photovoltaic components



Shape: Axial exhaust air
Length L: 115 mm
Width B: 115 mm
Height H: 40 mm
Number of ejectors: 1
Performance class: E100
Shape: Blow-off function
Material: Polyetheretherketon

Design Data



Attribute	Value
B	115 mm
d	6 mm
d1	4 mm
d2	14 mm
G1	G3/8"-F
G2	M4-F
G3	M4-F
H	40 mm
H2	10.5 mm
L	115 mm
X1	46 mm
X2	80.6 mm

Contact to Schmalz

J. Schmalz GmbH | Johannes-Schmalz-Straße, 72293 Glatten, Deutschland | +49 7443 2403-102 | customercenter@schmalz.de

Technical Data

Attribute	Value
Pressure range (operating pressure)	1.0 ... 3.0 bar
Size	5
Design	Axial exhaust air
Holding force	10 ... 35 N
Suction rate	190 ... 350 l/min
Air consumption	60 ... 120 l/min
Ambient temperature	5 ... 75 °C
Weight	210 g

Spare Parts



SAUG-FL SWGm-5 110x110 PEEK

Part no. 10.01.30.00125

Suction plate

Length L: 110 mm

Width B: 110 mm

Height H: 3 mm

Suction cup material:

Polyetheretherketon

for: Wafer gripper (mod)

Accessories

Contact to Schmalz



FLAN-PL 63x10.5-AD1

Part no. 10.01.30.00016

Flange plate (round)

External diameter D: 63 mm

Length L: 10.5 mm

Size: AD1



FLAN-PL 63x11.5-UNI

Part no. 10.01.30.00017

Flange plate (round)

External diameter D: 63 mm

Length L: 11.5 mm

Size: UNI



FLAN-PL 80x9-ST1

Part no. 10.01.30.00167

Flange plate (round)

External diameter: 80 mm

Length: 9 mm

Size: ST1



FLAN-PL 55x9.5-JP1

Part no. 10.01.30.00194
Flange plate (round)
External diameter D: 55 mm
Length L: 9.5 mm
Size: JP1



HTR-UNI SWGm

Part no. 10.01.30.00117
Holder system
Cross-beam connection:
Universal holder
for: Wafer gripper (mod)



HTR M8x1-IG SWGm

Part no. 10.01.30.00118
Holder system
Thread G1: M8x1-F
for: Wafer gripper (mod)



HTR M12x1-IG SWGm

Part no. 10.01.30.00119

Holder system

Thread G1: M12x1-F

for: Wafer gripper (mod)



SD-MOD 4 32x15x35 FG 9 SWGm

Part no. 10.01.30.00121

Suction-/ Absorption module

Internal diameter: 4 mm

Length: 32 mm

Width: 15 mm

Height: 35 mm

Hose diameter: 4 mm

Suct. pads: Bellows suct. pad FG

Diameter: 9 mm

for: Wafer gripper (mod)



ABL-FUEHR 18x46 SWGm/SCG

Part no. 10.01.30.00087

Comp. for discharging exhaust air

External diameter D: 18 mm

Length L1: 46 mm

for: Wafer-/Coanda gripper



EMV 1.5 24V-DC 3/2 NC K-2P

Part no. 10.05.01.00288

Solenoid valve EMV for direct control of compressed air

Nominal size: 1.5 mm

Voltage: 24V - DC

Function: 3/2-way valve

Control: Normally closed

Connecting thread: M5-M

contains: Cable 2

Cable length: 3 m



EMV 2.5 24V-DC 3/2 NC K-2P

Part no. 10.05.01.00289

Solenoid valve EMV for direct control of compressed air

Nominal size: 2.5 mm

Voltage: 24V - DC

Function: 3/2-way valve

Control: Normally closed

Connecting thread: G1/8-M

contains: Cable 2

Cable length: 3 m



SBSm 14 90-3 4/2 0

Part no. 10.01.01.12912

Floating suction cup module for increasing the transfer height of sensitive workpieces

Width B: 14 mm

Angle of radiation: 90 °

Number of holes: 3

Connection: Hose 4/2

Slewing angle W: 0 °