

Needle gripper

SNG-BV 10 1.2 V 100SF

SBS-4POS

<https://www.schmalz.com/10.01.29.00481>



Part no.: 10.01.29.00481

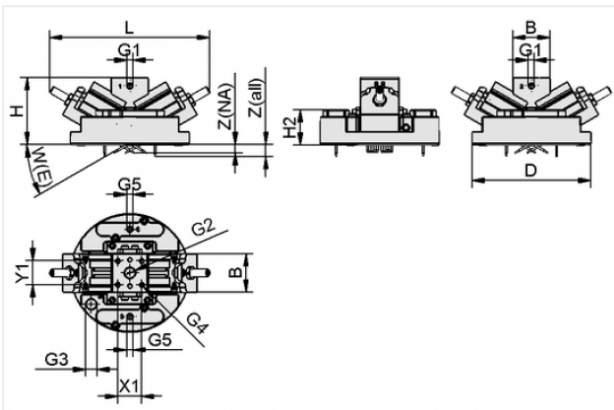
Homepage > Vacuum Technology for Automation > Vacuum Components > Special Grippers > Needle Grippers > Needle Grippers SNG-BV > SNG-BV 10 1.2 V 100SF SBS-4POS

Pneumatic needle gripper with additional positioning needles and floating suction cup function



Number of needles: 10
 Needle diameter: 1.2 mm
 External diameter D: 100 mm
 Shape: Standard Flow
 Additional function: Variable stroke
 Pressure range (operating pressure):
 3.0 ... 7.0 bar
 Additional feature:
 SBS and 4 positioning needles

Design Data



Attribute	Value
B	100 mm
D	100 mm
G1	M5-F
G2	G1/8"-F
G3	G1/8"-F
G4	M4-F
G5	M5-F
H	56 mm
H2	29.7 mm
L	149 mm
W (E)	30 °
X1	20 mm

Contact to Schmalz

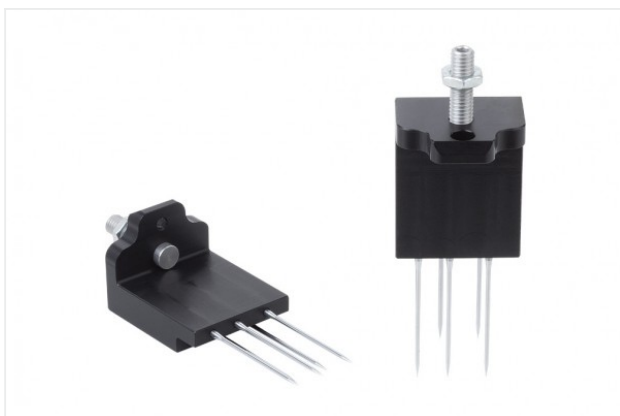
J. Schmalz GmbH | Johannes-Schmalz-Straße, 72293 Glatten, Deutschland | +49 7443 2403-102 | customercenter@schmalz.de

Attribute	Value
Y1	20 mm
Z (all)	9 mm
Z (NA)	7 mm

Technical Data

Attribute	Value
Number of needles	10
Needle diameter	1.2 mm
Additional function	Variable stroke
Design	Standard Flow
Installation position	Any
Pressure range (operating pressure)	3.0 ... 7.0 bar
Weight	620 g
Ambient temperature	5 ... 60 °C

Spare Parts



ERS-SET SNG-V 10 1.2

Part no. 10.01.29.00238

Set of spare parts
for: Needle gripper

Size: V

contains: 2 Needle wedges inst.

Number of needles: 10

Needle diameter: 1.2 mm



ERS-SET SNG-M 4 0.8

Part no. 10.01.29.00094

Set of spare parts
for: Needle gripper

Size: M

contains: 4 Needles \varnothing 0,8mm +springs
and: Needle piston ass/Screws

Number of needles: 4

Needle diameter: 0.8 mm



REIB-FL SBS HT1-60

Part no. 10.01.01.12593

Friction Surface to increase lateral forces
for: Floating suction pad

Suction cup material:

High temp material HT1

Material hardness: 60 °Sh

Accessories



BEF-PL 31x34x11.5 G1/4-IG SNG

Part no. 10.01.29.00093

Mounting plate

Length L: 31 mm

Width B: 34 mm

Height H: 11.5 mm

Thread G1: G1/4-F

for: Needle gripper

**STV-W M5-AG 6**

Part no. 10.08.02.00296

Screw plug connection, swivelling elbow

Thread G1: M5-M

External hose diameter: 6 mm

Material: Plastic

**STV-GE M5-AG 6**

Part no. 10.08.02.00201

Screw plug connection, straight

Thread G1: M5-M

External hose diameter: 6 mm

Material: Brass

Surface: nickel plated

Ambient temperature: -20 ... 80 °C

**VSL 6-4 PU**

Part no. 10.07.09.00002

Hose for vacuum and compressed-air systems

External diameter D: 6 mm

Internal diameter d: 4 mm

Length (max): 500 m

Material: PU

Installation radius (min): 35 mm

Pressure range (operating pressure):

-0.95 ... 10.00 bar

Ambient temperature: -20 ... 90 °C