

# Needle gripper

## SNG-D 24 1.2 V

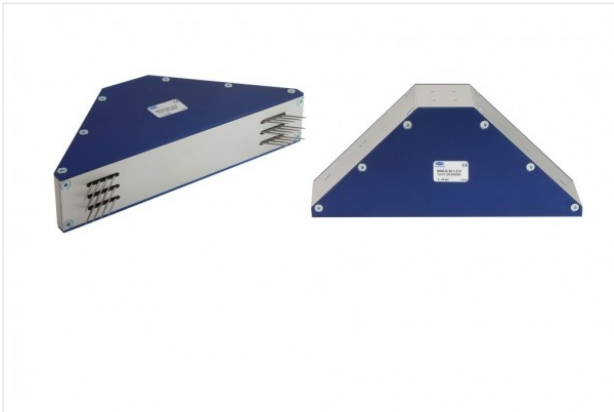
Part no.: 10.01.29.00009

<https://www.schmalz.com/10.01.29.00009>



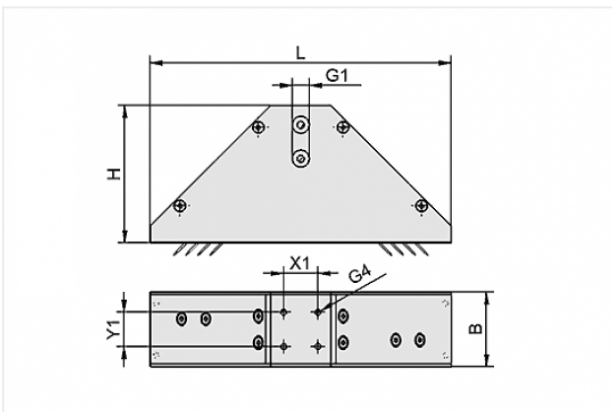
Homepage > Vacuum Technology for Automation > Vacuum Components > Special Grippers > Needle Grippers > Needle Grippers SNG-D / DV > SNG-D 24 1.2 V

### Needle gripper SNG-D, particularly robust version



Number of needles: 24  
 Needle diameter: 1.2 mm  
 Needle stroke Z(NA): 7 mm  
 Additional function: Variable stroke  
 Pressure range (operating pressure):  
 3.0 ... 10.0 bar

### Design Data



Attribute	Value
-----------	-------

B	43.5 mm
G1	M5-F
G4	M4-F
H	80.3 mm
L	176 mm
X1	20 mm
Y1	20 mm

### Technical Data

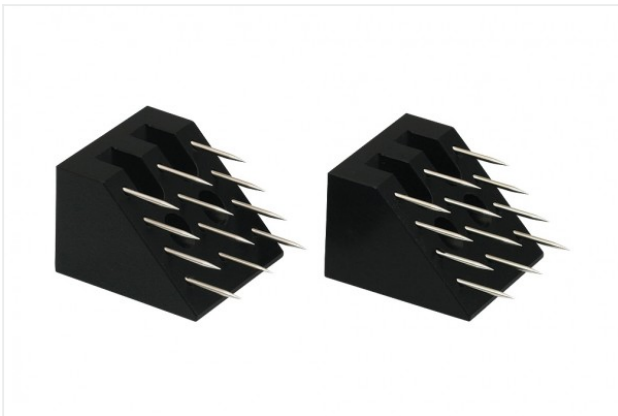
Attribute	Value
Number of needles	24

### Contact to Schmalz

J. Schmalz GmbH | Johannes-Schmalz-Straße, 72293 Glatten, Deutschland | +49 7443 2403-102 | [customercenter@schmalz.de](mailto:customercenter@schmalz.de)

Attribute	Value
Needle diameter	1.2 mm
Additional function	Variable stroke
Pressure range (operating pressure)	3.0 ... 10.0 bar
Ambient temperature	5 ... 60 °C
Installation position	Any
Weight	700 g

## Spare Parts



### ERS-SET SNG-D 1.2

Part no. 10.01.29.00100

Set of spare parts  
for: Needle gripper

Size: D

contains: 2 Needle wedges inst.

Needle diameter: 1.2 mm

## Accessories



### BEF-PL 31x34x11.5 G1/4-IG SNG

Part no. 10.01.29.00093

Mounting plate

Length L: 31 mm

Width B: 34 mm

Height H: 11.5 mm

Thread G1: G1/4-F

for: Needle gripper

**STV-W M5-AG 6**

Part no. 10.08.02.00296

Screw plug connection, swivelling elbow

Thread G1: M5-M

External hose diameter: 6 mm

Material: Plastic

**STV-GE M5-AG 6**

Part no. 10.08.02.00201

Screw plug connection, straight

Thread G1: M5-M

External hose diameter: 6 mm

Material: Brass

Surface: nickel plated

Ambient temperature: -20 ... 80 °C

**VSL 6-4 PU**

Part no. 10.07.09.00002

Hose for vacuum and compressed-air systems

External diameter D: 6 mm

Internal diameter d: 4 mm

Length (max): 500 m

Material: PU

Installation radius (min): 35 mm

Pressure range (operating pressure):

-0.95 ... 10.00 bar

Ambient temperature: -20 ... 90 °C