

Needle gripper

SNG-D 24 0.8

<https://www.schmalz.com/10.01.29.00005>



Part no.: 10.01.29.00005

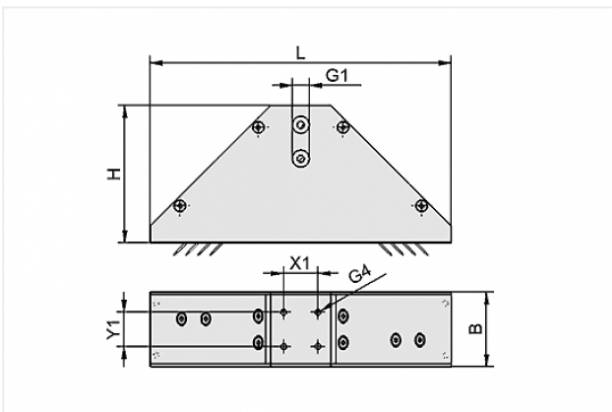
Homepage > Vacuum Technology for Automation > Vacuum Components > Special Grippers > Needle Grippers > Needle Grippers SNG-D / DV > SNG-D 24 0.8

Needle gripper SNG-D, particularly robust version



Number of needles: 24
Needle diameter: 0.8 mm
Needle stroke Z(NA): 7 mm
Pressure range (operating pressure):
3.0 ... 10.0 bar

Design Data



Attribute	Value
-----------	-------

B	43.5 mm
---	---------

G1	M5-F
----	------

G4	M4-F
----	------

H	80.3 mm
---	---------

L	176 mm
---	--------

X1	20 mm
----	-------

Y1	20 mm
----	-------

Technical Data

Attribute	Value
-----------	-------

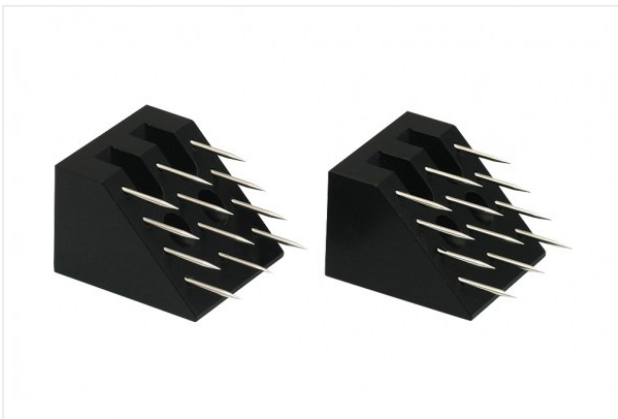
Number of needles	24
-------------------	----

Contact to Schmalz

J. Schmalz GmbH | Johannes-Schmalz-Straße, 72293 Glatten, Deutschland | +49 7443 2403-102 | customercenter@schmalz.de

Attribute	Value
Needle diameter	0.8 mm
Pressure range (operating pressure)	3.0 ... 10.0 bar
Ambient temperature	5 ... 60 °C
Installation position	Any
Weight	600 g

Spare Parts



ERS-SET SNG-D 0.8

Part no. 10.01.29.00099

Set of spare parts
for: Needle gripper

Size: D

contains: 2 Needle wedges inst.

Needle diameter: 0.8 mm

Accessories



BEF-PL 31x34x11.5 G1/4-IG SNG

Part no. 10.01.29.00093

Mounting plate

Length L: 31 mm

Width B: 34 mm

Height H: 11.5 mm

Thread G1: G1/4-F

for: Needle gripper

**STV-W M5-AG 6**

Part no. 10.08.02.00296

Screw plug connection, swivelling elbow

Thread G1: M5-M

External hose diameter: 6 mm

Material: Plastic

**STV-GE M5-AG 6**

Part no. 10.08.02.00201

Screw plug connection, straight

Thread G1: M5-M

External hose diameter: 6 mm

Material: Brass

Surface: nickel plated

Ambient temperature: -20 ... 80 °C

**VSL 6-4 PU**

Part no. 10.07.09.00002

Hose for vacuum and compressed-air systems

External diameter D: 6 mm

Internal diameter d: 4 mm

Length (max): 500 m

Material: PU

Installation radius (min): 35 mm

Pressure range (operating pressure):

-0.95 ... 10.00 bar

Ambient temperature: -20 ... 90 °C