

Needle gripper

SNG-M 4 0.8

<https://www.schmalz.com/10.01.29.00001>



Part no.: 10.01.29.00001

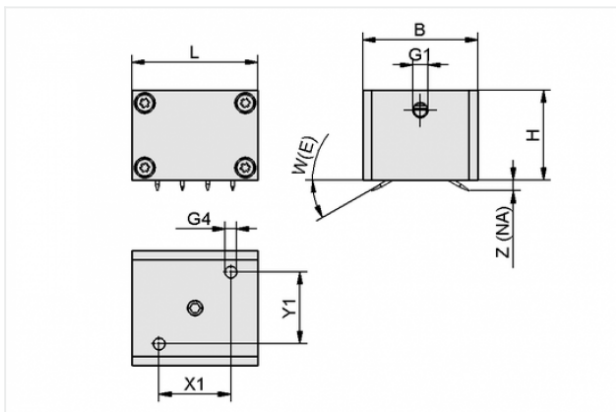
Homepage > Vacuum Technology for Automation > Vacuum Components > Special Grippers > Needle Grippers > Needle Grippers SNG-M > SNG-M 4 0.8

Needle gripper SNG-M, particularly compact version



Number of needles: 4
Needle diameter: 0.8 mm
Needle stroke Z(NA): 3 mm
Pressure range (operating pressure):
4.0 ... 6.0 bar

Design Data



Attribute	Value
-----------	-------

B	32 mm
---	-------

d	4 mm
---	------

G1	M5-F
----	------

G4	M4-F
----	------

H	25 mm
---	-------

L	35 mm
---	-------

W (E)	30 °
-------	------

X1	20 mm
----	-------

Y1	20 mm
----	-------

Z (NA)	3 mm
--------	------

Contact to Schmalz

J. Schmalz GmbH | Johannes-Schmalz-Straße, 72293 Glatten, Deutschland | +49 7443 2403-102 | customercenter@schmalz.de

Technical Data

Attribute	Value
Number of needles	4
Needle diameter	0.8 mm
Pressure range (operating pressure)	4.0 ... 6.0 bar
Ambient temperature	5 ... 60 °C
Installation position	Any
Weight	80 g

Spare Parts



ERS-SET SNG-M 4 0.8

Part no. 10.01.29.00094

Set of spare parts
for: Needle gripper

Size: M

contains: 4 Needles Ø0,8mm +springs

and: Needle piston ass/Screws

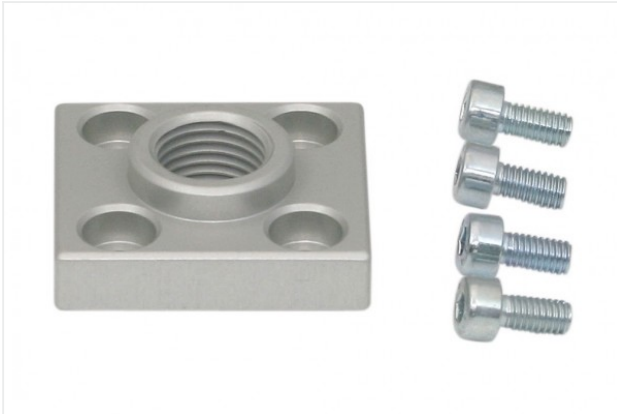
Number of needles: 4

Needle diameter: 0.8 mm

Accessories

Contact to Schmalz

J. Schmalz GmbH | Johannes-Schmalz-Straße, 72293 Glatten, Deutschland | +49 7443 2403-102 |
customercenter@schmalz.de



BEF-PL 31x34x11.5 G1/4-IG SNG

Part no. 10.01.29.00093

Mounting plate

Length L: 31 mm

Width B: 34 mm

Height H: 11.5 mm

Thread G1: G1/4-F

for: Needle gripper



STV-W M5-AG 6

Part no. 10.08.02.00296

Screw plug connection, swivelling elbow

Thread G1: M5-M

External hose diameter: 6 mm

Material: Plastic



STV-GE M5-AG 6

Part no. 10.08.02.00201

Screw plug connection, straight

Thread G1: M5-M

External hose diameter: 6 mm

Material: Brass

Surface: nickel plated

Ambient temperature: -20 ... 80 °C

**VSL 6-4 PU**

Part no. 10.07.09.00002

Hose for vacuum and compressed-air systems

External diameter D: 6 mm

Internal diameter d: 4 mm

Length (max): 500 m

Material: PU

Installation radius (min): 35 mm

Pressure range (operating pressure):

-0.95 ... 10.00 bar

Ambient temperature: -20 ... 90 °C