

Needle gripper

SNG-V 10 1.2 V-HT-7

<https://www.schmalz.com/10.01.29.00428>



Part no.: 10.01.29.00428

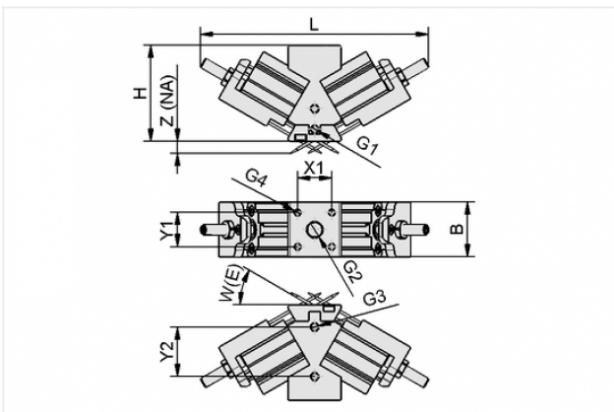
Homepage > Vacuum Technology for Automation > Vacuum Components > Special Grippers > Needle Grippers > Needle Grippers SNG-V > SNG-V 10 1.2 V-HT-7

Needle gripper SNG-V, particularly robust version



Number of needles: 10
 Needle diameter: 1.2 mm
 Additional function:
 Var. stroke, high temperature
 Needle stroke Z(NA): 7 mm
 Pressure range (operating pressure):
 3.0 ... 7.0 bar
 Workpiece temperature max.: 260 °C

Design Data



Attribute	Value
B	32 mm
G1	M5-F
G2	G1/8"-F
G3	M5-F
G4	M4-F
H	56 mm
L	149 mm
W (E)	30 °
X1	20 mm
Y1	20 mm
Y2	29 mm
Z (NA)	7 mm

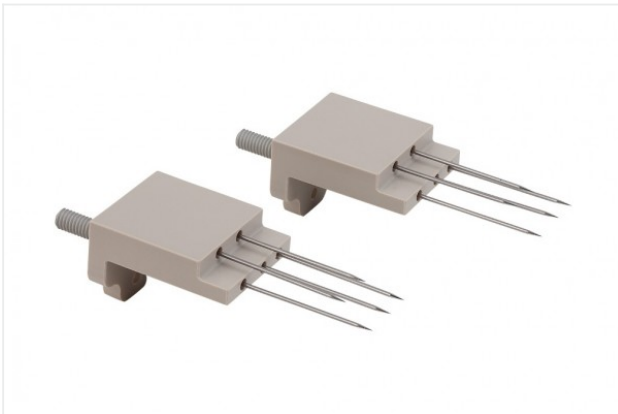
Contact to Schmalz

J. Schmalz GmbH | Johannes-Schmalz-Straße, 72293 Glatten, Deutschland | +49 7443 2403-102 | customercenter@schmalz.de

Technical Data

Attribute	Value
Number of needles	10
Needle diameter	1.2 mm
Pressure range (operating pressure)	3.0 ... 7.0 bar
Ambient temperature	5 ... 150 °C
Installation position	Any
Weight	255 g
Additional function	Var. stroke, high temperature

Spare Parts



ERS-SET SNG-V-HT 1.2

Part no. 10.01.29.00464

Set of spare parts
for: Needle gripper

Size: V-HT

contains: 2 Needle wedges inst.

Needle diameter: 1.2 mm



ERS-SET SNG-V-HT

Part no. 10.01.29.00485

Set of spare parts
for: Needle gripper

Size: V-HT

Contact to Schmalz

J. Schmalz GmbH | Johannes-Schmalz-Straße, 72293 Glatten, Deutschland | +49 7443 2403-102 |
customercenter@schmalz.de

Accessories



Bef-PL 31x34x11.5 G1/4-IG SNG

Part no. 10.01.29.00093

Mounting plate

Length L: 31 mm

Width B: 34 mm

Height H: 11.5 mm

Thread G1: G1/4-F

for: Needle gripper



HTS-A2 AP SNG

Part no. 10.01.29.00402

Holder system

Cross-beam connection:

Bolt with slot \varnothing 19mm

Shape: with adapterplate

for: Needle gripper



HTS-A3 AP SNG AP/AE

Part no. 10.01.29.00322

Holder system

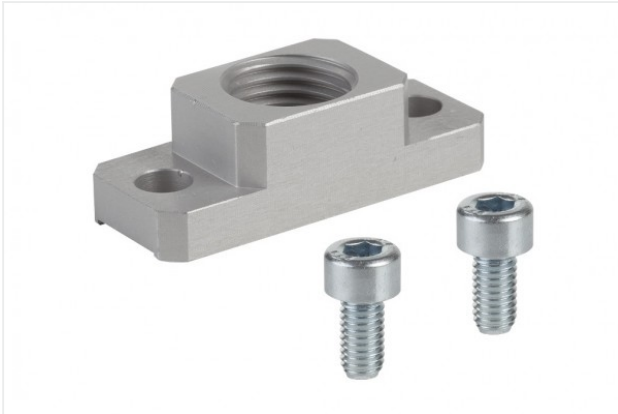
Cross-beam connection:

Ball head 28.5 mm

Shape: with adapterplate

for: Needle gripper

Size: AP/AE



BEF-PL 38x15x11.5 G1/4-IG SNG

Part no. 10.01.29.00403

Mounting plate

Length: 38 mm

Width: 15 mm

Height: 11.5 mm

Thread 1: G1/4-F

for: Needle gripper



STV-GE M5-AG 6 HT

Part no. 10.08.02.00396

Screw plug connection, straight

Thread G1: M5-M

External hose diameter: 6 mm

Material: Brass

Surface: nickel plated

Ambient temperature: -50 ... 200 °C

Type: HT



STV-W M5-AG 6 HT

Part no. 10.08.02.00397

Screw plug connection, swivelling elbow

Thread G1: M5-M

External hose diameter: 6 mm

Material: Brass

Surface: nickel plated

Ambient temperature: -50 ... 200 °C

Type: HT

**VSL 6-4 PTFE**

Part no. 10.07.09.00157

Hose for vacuum and compressed-air systems

External diameter D: 6 mm

Internal diameter d: 4 mm

Length (max): 50 m

Material: Polytetrafluorethylene

Installation radius (min): 35 mm

Colour: natur

Ambient temperature: -190 ... 260 °C