

Mounting plate

<https://www.schmalz.com/10.01.29.00093>



BEF-PL 31x34x11.5 G1/4-IG SNG

Part no.: 10.01.29.00093

Homepage > Vacuum Technology for Automation > Vacuum Components > Special Grippers > Needle Grippers > Accessories Needle Grippers

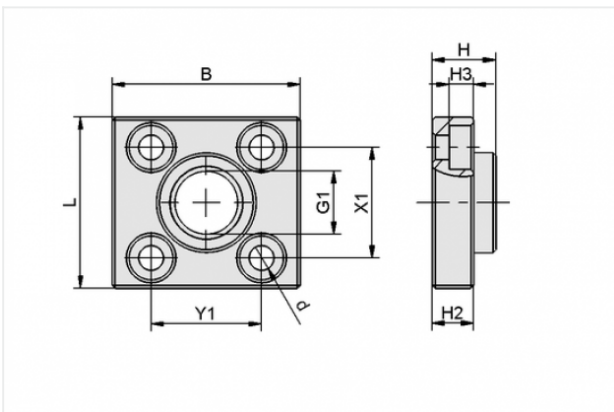
SNG-V > BEF-PL 31x34x11.5 G1/4-IG SNG

Mounting plate



Length L: 31 mm
Width B: 34 mm
Height H: 11.5 mm
Thread G1: G1/4-F
for: Needle gripper

Design Data



Attribute	Value
-----------	-------

B	34 mm
---	-------

d	4.5 mm
---	--------

G1	G1/4"-F
----	---------

H	11.5 mm
---	---------

H2	7.5 mm
----	--------

H3	4.4 mm
----	--------

L	31 mm
---	-------

X1	20 mm
----	-------

Y1	20 mm
----	-------

Contact to Schmalz

J. Schmalz GmbH | Johannes-Schmalz-Straße, 72293 Glatten, Deutschland | +49 7443 2403-102 | customercenter@schmalz.de



Technical Data

Attribute	Value
Weight	28 g

Contact to Schmalz

J. Schmalz GmbH | Johannes-Schmalz-Straße, 72293 Glatten, Deutschland | +49 7443 2403-102 | customercenter@schmalz.de