

Needle gripper

SNG-V 10 1.2 V-7

<https://www.schmalz.com/10.01.29.00176>



Part no.: 10.01.29.00176

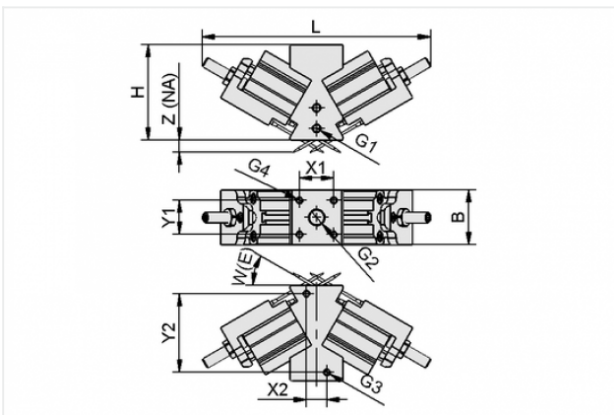
Homepage > Vacuum Technology for Automation > Vacuum Components > Special Grippers > Needle Grippers > Needle Grippers SNG-V > SNG-V 10 1.2 V-7

Needle gripper SNG-V, particularly robust version



Number of needles: 10
 Needle diameter: 1.2 mm
 Additional function: Variable stroke
 Needle stroke Z(NA): 7 mm
 Pressure range (operating pressure):
 3.0 ... 7.0 bar

Design Data



Attribute	Value
B	32 mm
G1	M5-F
G2	G1/8"-F
G3	M4-F
G4	M4-F
H	56 mm
L	149 mm
W (E)	30 °
X1	20 mm
X2	12 mm
Y1	20 mm
Y2	46 mm
Z (NA)	7 mm

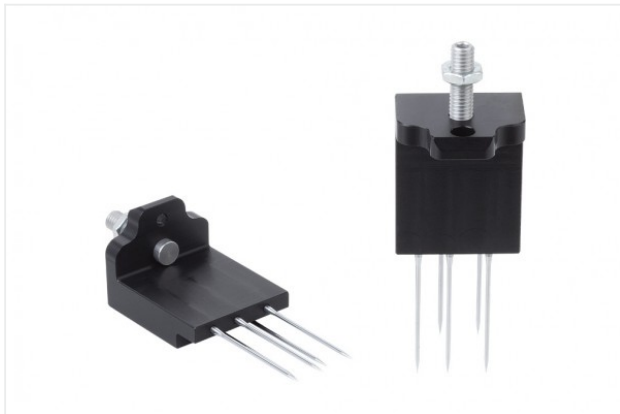
Contact to Schmalz

J. Schmalz GmbH | Johannes-Schmalz-Straße, 72293 Glatten, Deutschland | +49 7443 2403-102 | customercenter@schmalz.de

Technical Data

Attribute	Value
Number of needles	10
Needle diameter	1.2 mm
Pressure range (operating pressure)	3.0 ... 7.0 bar
Ambient temperature	5 ... 60 °C
Installation position	Any
Weight	265 g
Additional function	Variable stroke

Spare Parts



ERS-SET SNG-V 10 1.2

Part no. 10.01.29.00238

Set of spare parts
for: Needle gripper

Size: V

contains: 2 Needle wedges inst.

Number of needles: 10

Needle diameter: 1.2 mm

Accessories

Contact to Schmalz

J. Schmalz GmbH | Johannes-Schmalz-Straße, 72293 Glatten, Deutschland | +49 7443 2403-102 |
customercenter@schmalz.de



Bef-PL 31x34x11.5 G1/4-IG SNG

Part no. 10.01.29.00093

Mounting plate

Length L: 31 mm

Width B: 34 mm

Height H: 11.5 mm

Thread G1: G1/4-F

for: Needle gripper



HTS-A2 SGM 30/40

Part no. 10.01.17.00169

Holder system

Cross-beam connection:

Bolt with slot \varnothing 19mm

for: Magnetic gripper

Size: 30/40



HTS-A3 SGM 30/40

Part no. 10.01.17.00170

Holder system

Cross-beam connection:

Ball head 28.5 mm

for: Magnetic gripper

Size: 30/40

**STV-W M5-AG 6**

Part no. 10.08.02.00296

Screw plug connection, swivelling elbow

Thread G1: M5-M

External hose diameter: 6 mm

Material: Plastic

**STV-GE M5-AG 6**

Part no. 10.08.02.00201

Screw plug connection, straight

Thread G1: M5-M

External hose diameter: 6 mm

Material: Brass

Surface: nickel plated

Ambient temperature: -20 ... 80 °C

**VSL 6-4 PU**

Part no. 10.07.09.00002

Hose for vacuum and compressed-air systems

External diameter D: 6 mm

Internal diameter d: 4 mm

Length (max): 500 m

Material: PU

Installation radius (min): 35 mm

Pressure range (operating pressure):

-0.95 ... 10.00 bar

Ambient temperature: -20 ... 90 °C