

Magnetic gripper

SGM-HT-HP 50 G1/4-IG

<https://www.schmalz.com/10.01.17.00402>



Part no.: 10.01.17.00402

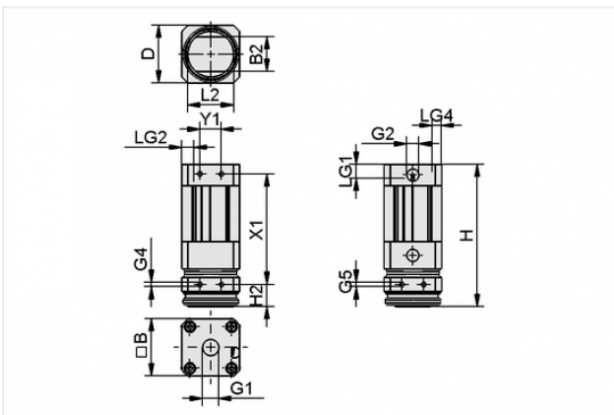
Homepage > Vacuum Technology for Automation > Vacuum Components > Special Grippers > Magnetic Grippers > Magnetic Grippers SGM-HP/-HT > SGM-HT-HP 50 G1/4-IG

Magnetic gripper for handling metal sheets with holes



Size: 50
 Socket: G1/4"-F
 Pressure range (operating pressure):
 2.5 ... 6.0 bar
 Holding force max: 520 N

Design Data



Attribute	Value
B	50 mm
B2	31.2 mm
D	48.4 mm
G1	G1/4"-F
G2	G1/8"-F
G4	M5-F
G5	M4-F
H	123.2 mm
H2	15.5 mm
L2	41.5 mm
LG1	10 mm
LG2	6 mm
LG4	6.5 mm

Contact to Schmalz

J. Schmalz GmbH | Johannes-Schmalz-Straße, 72293 Glatten, Deutschland | +49 7443 2403-102 | customercenter@schmalz.de

Attribute	Value
X1	100 mm
Y1	15 mm

Technical Data

Attribute	Value
Holding force max	520 N
Holding force max friction ring	330 N
Sheet thickness opt f. holding force max	6 mm
Holding force 2mm-sheet	370 N
Holding force 2mm-sheet friction ring	270 N
Lateral force	102 N
Lateral force (oily surface)	101 N
Remaining force	0.3 N
Pressure range (operating pressure)	2.5 ... 6.0 bar
Installation position	Any
Control	Bistable
Ambient temperature	5 ... 150 °C
Weight	770 g

Note:

- The specified holding forces are static values under optimal conditions (primarily depending on material and surface characteristics). For system designs, a safety factor of $S = 3$ must be applied.
- Holding forces SGM-HT-HP at 20 °C; can be used for workpiece temperatures up to 350 °C (depending on process conditions), the influence of temperature can reduce holding forces by up to 30%

Accessories



REIB-RING SGM 50 HT2-65

Part no. 10.01.17.00412

Friction ring

for: Magnetic gripper

Size: 50

External diameter D: 50 mm

Internal diameter d: 41.5 mm



HTS-A2 AP SGM 50

Part no. 10.01.17.00417

Holder system

Cross-beam connection:

Bolt with slot \varnothing 19mm

Shape: with adapterplate

for: Magnetic gripper

Size: 50



HTS-A3 AP SGM 50

Part no. 10.01.17.00383

Holder system

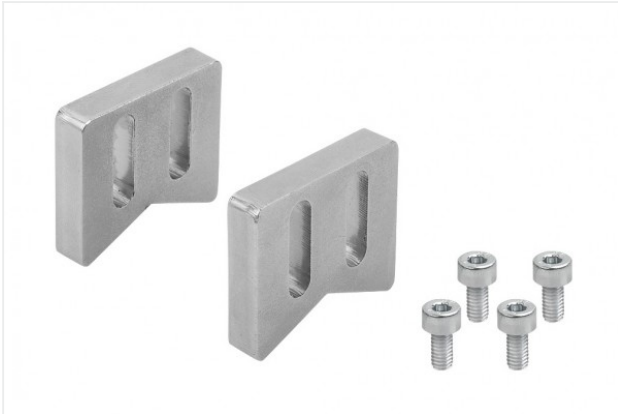
Cross-beam connection:

Ball head 28.5 mm

Shape: with adapterplate

for: Magnetic gripper

Size: 50



ADP-E-TRI 50 SET

Part no. 10.01.17.00422

Lifting elements for handling of round or non-flat components

Size: 50

Shape: triangle

Workpiece diameter (min): 20 mm

Workpiece diameter (max): 30 mm



ADP-E-UNI 50 SET

Part no. 10.01.17.00415

Lifting elements for handling of round or non-flat components

Size: 50

Shape: Rectangular



VSL 6-4 PTFE

Part no. 10.07.09.00157

Hose for vacuum and compressed-air systems

External diameter D: 6 mm

Internal diameter d: 4 mm

Length (max): 50 m

Material: Polytetrafluorethylene

Installation radius (min): 35 mm

Colour: natur

Ambient temperature: -190 ... 260 °C



STV-GE G1/8-AG 6 HT

Part no. 10.08.02.00389

Screw plug connection, straight

Thread G1: G1/8-M

External hose diameter: 6 mm

Material: Brass

Surface: nickel plated

Ambient temperature: -50 ... 200 °C

Type: HT



STV-W G1/8-AG 6 HT

Part no. 10.08.02.00391

Screw plug connection, swivelling elbow

Thread G1: G1/8-M

External hose diameter: 6 mm

Material: Brass

Surface: nickel plated

Ambient temperature: -50 ... 200 °C

Type: HT