

# Magnetic gripper

## SGM-HT-HP 40 G1/4-IG

<https://www.schmalz.com/10.01.17.00403>



Part no.: 10.01.17.00403

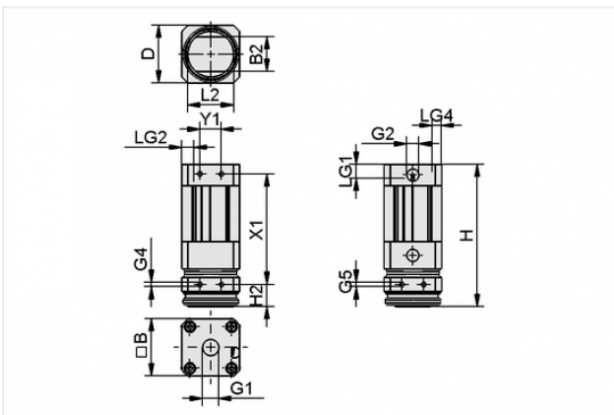
Homepage > Vacuum Technology for Automation > Vacuum Components > Special Grippers > Magnetic Grippers > Magnetic Grippers SGM-HP/-HT > SGM-HT-HP 40 G1/4-IG

## Magnetic gripper for handling metal sheets with holes



Size: 40  
 Socket: G1/4"-F  
 Pressure range (operating pressure):  
 2.5 ... 6.0 bar  
 Holding force max: 290 N

### Design Data



Attribute	Value
B	40 mm
B2	24.2 mm
D	38.4 mm
G1	G1/4"-F
G2	G1/8"-F
G4	M4-F
G5	M4-F
H	99.2 mm
H2	15.5 mm
L2	32 mm
LG1	9 mm
LG2	6 mm
LG4	5 mm

### Contact to Schmalz

J. Schmalz GmbH | Johannes-Schmalz-Straße, 72293 Glatten, Deutschland | +49 7443 2403-102 | [customercenter@schmalz.de](mailto:customercenter@schmalz.de)

Attribute	Value
X1	74 mm
Y1	12 mm

## Technical Data

Attribute	Value
Holding force max	290 N
Holding force max friction ring	230 N
Sheet thickness opt f. holding force max	4 mm
Holding force 2mm-sheet	260 N
Holding force 2mm-sheet friction ring	200 N
Lateral force	67.5 N
Lateral force (oily surface)	75 N
Remaining force	0.3 N
Pressure range (operating pressure)	2.5 ... 6.0 bar
Installation position	Any
Control	Bistable
Ambient temperature	5 ... 150 °C
Weight	415 g

### Note:

- The specified holding forces are static values under optimal conditions (primarily depending on material and surface characteristics). For system designs, a safety factor of  $S = 3$  must be applied.
- Holding forces SGM-HT-HP at 20 °C; can be used for workpiece temperatures up to 350 °C (depending on process conditions), the influence of temperature can reduce holding forces by up to 30%

## Accessories



### REIB-RING SGM 40 HT2-65

Part no. 10.01.17.00411

Friction ring

for: Magnetic gripper

Size: 40

External diameter D: 40 mm

Internal diameter d: 32 mm



### HTS-A2 AP SGM 30/40

Part no. 10.01.17.00416

Holder system

Cross-beam connection:

Bolt with slot  $\varnothing$ 19mm

Shape: with adapterplate

for: Magnetic gripper

Size: 30/40



### HTS-A3 AP SGM 30/40

Part no. 10.01.17.00378

Holder system

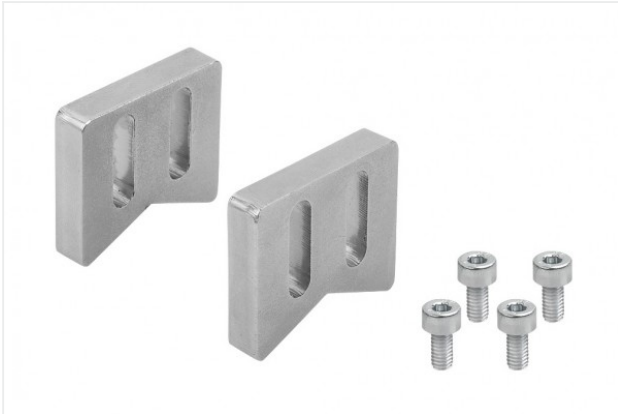
Cross-beam connection:

Ball head 28.5 mm

Shape: with adapterplate

for: Magnetic gripper

Size: 30/40



#### **ADP-E-TRI 30/40 SET**

Part no. 10.01.17.00421

Lifting elements for handling of round or non-flat components

Size: 30/40

Shape: triangle

Workpiece diameter (min): 10 mm

Workpiece diameter (max): 20 mm



#### **ADP-E-UNI 30/40 SET**

Part no. 10.01.17.00423

Lifting elements for handling of round or non-flat components

Size: 30/40

Shape: Rectangular



#### **VSL 6-4 PTFE**

Part no. 10.07.09.00157

Hose for vacuum and compressed-air systems

External diameter D: 6 mm

Internal diameter d: 4 mm

Length (max): 50 m

Material: Polytetrafluorethylene

Installation radius (min): 35 mm

Colour: natur

Ambient temperature: -190 ... 260 °C



**STV-GE G1/8-AG 6 HT**

Part no. 10.08.02.00389

Screw plug connection, straight

Thread G1: G1/8-M

External hose diameter: 6 mm

Material: Brass

Surface: nickel plated

Ambient temperature: -50 ... 200 °C

Type: HT



**STV-W G1/8-AG 6 HT**

Part no. 10.08.02.00391

Screw plug connection, swivelling elbow

Thread G1: G1/8-M

External hose diameter: 6 mm

Material: Brass

Surface: nickel plated

Ambient temperature: -50 ... 200 °C

Type: HT