

Holder system

HTS-A2 AP SGM 50

<https://www.schmalz.com/10.01.17.00417>



Part no.: 10.01.17.00417

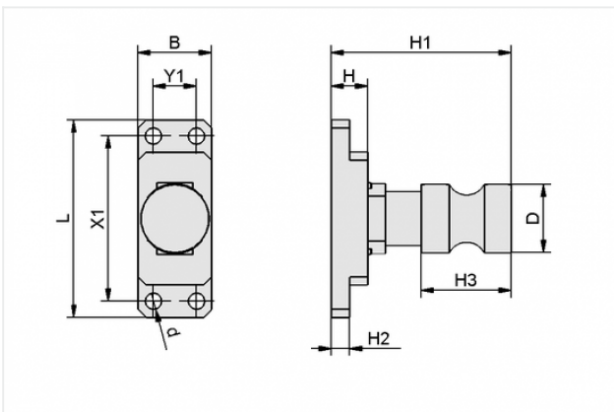
Homepage > Vacuum Technology for Automation > Vacuum Components > Special Grippers > Magnetic Grippers > Holder System Magnetic Grippers SGM-HP/-HT > HTS-A2 AP SGM 50

Holder system



Cross-beam connection:
Bolt with slot $\varnothing 19\text{mm}$
Shape: with adapterplate
for: Magnetic gripper
Size: 50

Design Data



Attribute	Value
-----------	-------

B	30 mm
d	5.5 mm
D	19 mm
H	9.9 mm
H1	50 mm
H2	5.2 mm
H3	25 mm
L	110 mm
X1	100 mm
Y1	15 mm

Contact to Schmalz

J. Schmalz GmbH | Johannes-Schmalz-Straße, 72293 Glatten, Deutschland | +49 7443 2403-102 | customercenter@schmalz.de

Technical Data

Attribute	Value
Size	50
Material	Aluminium
Weight	166 g
