

# Magnetic gripper

## SGM-HP 50 G1/4-IG

<https://www.schmalz.com/10.01.17.00282>



Part no.: 10.01.17.00282

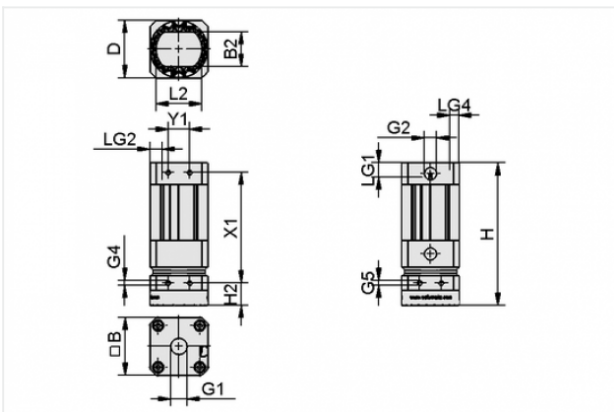
Homepage > Vacuum Technology for Automation > Vacuum Components > Special Grippers > Magnetic Grippers > Magnetic Grippers SGM-HP/-HT > SGM-HP 50 G1/4-IG

## Magnetic gripper for handling metal sheets with holes



Size: 50  
 Socket: G1/4"-F  
 Holding force max: 560 N  
 Holding force max friction ring: 385 N  
 Pressure range (operating pressure):  
 2.5 ... 6.0 bar

### Design Data



Attribute	Value
B	50 mm
B2	31.2 mm
D	50 mm
G1	G1/4"-F
G2	G1/8"-F
G4	M5-F
G5	M4-F
H	123.4 mm
H2	15.7 mm
L2	41.5 mm
LG1	10 mm
LG2	6 mm
LG4	6.5 mm

### Contact to Schmalz

J. Schmalz GmbH | Johannes-Schmalz-Straße, 72293 Glatten, Deutschland | +49 7443 2403-102 | [customercenter@schmalz.de](mailto:customercenter@schmalz.de)

Attribute	Value
X1	100 mm
Y1	15 mm

## Technical Data

Attribute	Value
Holding force max	560 N
Holding force max friction ring	385 N
Sheet thickness opt f. holding force max	6 mm
Holding force 2mm-sheet	415 N
Holding force 2mm-sheet friction ring	290 N
Lateral force	110 N
Lateral force (oily surface)	70 N
Remaining force	0.3 N
Pressure range (operating pressure)	2.5 ... 6.0 bar
Installation position	Any
Control	Bistable
Ambient temperature	5 ... 70 °C
Weight	770 g

### Note:

- The specified holding forces are static values under optimal conditions (primarily depending on material and surface characteristics). For system designs, a safety factor of  $S = 3$  must be applied.
- Holding forces SGM-HT-HP at 20 °C; can be used for workpiece temperatures up to 350 °C (depending on process conditions), the influence of temperature can reduce holding forces by up to 30%

## Spare Parts



### REIB-RING SGM 50 PU-55

Part no. 10.01.17.00381

Friction ring

for: Magnetic gripper

Size: 50

External diameter D: 50 mm

Internal diameter d: 41.5 mm

## Accessories



### NAEH-SCHA SMAGN-PNP S051

Part no. 10.01.17.00199

Proximity switch

Type: Magn. cylind. sensor-PNP

Voltage: 15-30V DC

Electrical connection:

Male connect M12, 4 pol



### NAEH-SCHA SMAGN-NPN S050

Part no. 10.01.17.00215

Proximity switch

Type: Magn. cylind. sensor-NPN

Voltage: 12-30V DC

Electrical connection:

Male connect M12, 4 pol



**HTS-A2 AP SGM 50**  
Part no. 10.01.17.00417  
Holder system  
Cross-beam connection:  
Bolt with slot  $\varnothing$ 19mm  
Shape: with adapterplate  
for: Magnetic gripper  
Size: 50



**HTS-A3 AP SGM 50**  
Part no. 10.01.17.00383  
Holder system  
Cross-beam connection:  
Ball head 28.5 mm  
Shape: with adapterplate  
for: Magnetic gripper  
Size: 50



**ADP-E-TRI 50 SET**  
Part no. 10.01.17.00422  
Lifting elements for handling of round or non-flat  
components  
Size: 50  
Shape: triangle  
Workpiece diameter (min): 20 mm  
Workpiece diameter (max): 30 mm

**ADP-E-UNI 50 SET**

Part no. 10.01.17.00415

Lifting elements for handling of round or non-flat components

Size: 50

Shape: Rectangular

**VSL 6-4 PU**

Part no. 10.07.09.00002

Hose for vacuum and compressed-air systems

External diameter D: 6 mm

Internal diameter d: 4 mm

Length (max): 500 m

Material: PU

Installation radius (min): 35 mm

Pressure range (operating pressure):

-0.95 ... 10.00 bar

Ambient temperature: -20 ... 90 °C

**STV-GE G1/8-AG 6**

Part no. 10.08.02.00204

Screw plug connection, straight

Thread G1: G1/8-M

External hose diameter: 6 mm

Material: Brass

Surface: nickel plated

Ambient temperature: -20 ... 80 °C



**STV-W G1/8-AG 6**

Part no. 10.08.02.00158

Screw plug connection, swivelling elbow

Thread G1: G1/8-M

External hose diameter: 6 mm

Material: Brass, nickel-plated

Ambient temperature: -20 ... 80 °C