

# Holder system

## HTS-A2 AP SGM 30/40

<https://www.schmalz.com/10.01.17.00416>



Part no.: 10.01.17.00416

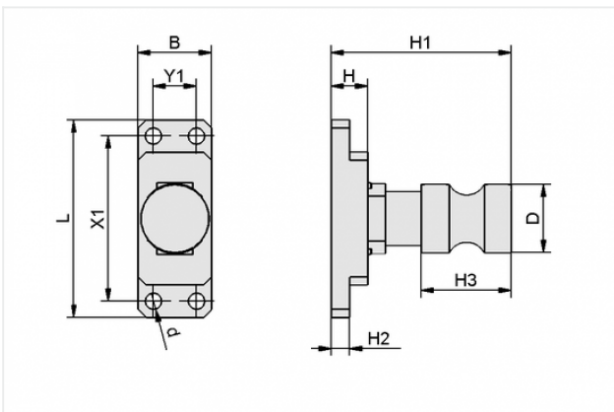
Homepage > Vacuum Technology for Automation > Vacuum Components > Special Grippers > Magnetic Grippers > Holder System Magnetic Grippers SGM-HP/-HT > HTS-A2 AP SGM 30/40

## Holder system



Cross-beam connection:  
Bolt with slot  $\varnothing 19\text{mm}$   
Shape: with adapterplate  
for: Magnetic gripper  
Size: 30/40

## Design Data



Attribute	Value
-----------	-------

B	26 mm
---	-------

d	4.6 mm
---	--------

D	19 mm
---	-------

H	9.9 mm
---	--------

H1	50 mm
----	-------

H2	5.2 mm
----	--------

H3	25 mm
----	-------

L	86 mm
---	-------

X1	74 mm
----	-------

Y1	12 mm
----	-------

## Contact to Schmalz

J. Schmalz GmbH | Johannes-Schmalz-Straße, 72293 Glatten, Deutschland | +49 7443 2403-102 | [customercenter@schmalz.de](mailto:customercenter@schmalz.de)

## Technical Data

Attribute	Value
Size	30/40
Material	Aluminium
Weight	135 g

---

---