

# Magnetic gripper

## SGM-S 50 G1/4-IG NPN

<https://www.schmalz.com/10.01.17.00218>



Part no.: 10.01.17.00218

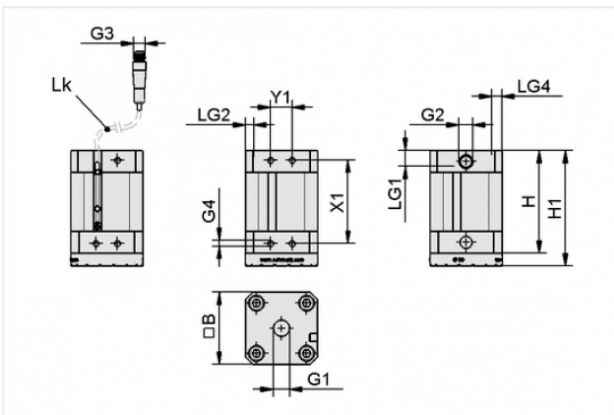
Homepage > Vacuum Technology for Automation > Vacuum Components > Special Grippers > Magnetic Grippers > Magnetic Grippers SGM > SGM-S 50 G1/4-IG NPN

### Magnetic gripper for handling metal sheets with holes



Size: 50  
 Socket: G1/4"-F  
 Holding force max friction ring: 180 N  
 Pressure range (operating pressure):  
 3.5 ... 6.0 bar  
 Additional function: Sensor NPN  
 Interface Connection 1:  
 Male connect M12, 4 pol

### Design Data



Attribute	Value
B	50.6 mm
G1	G1/4"-F
G2	G1/8"-F
G3	M12x1-M
G4	M5-F
H	80.2 mm
LG1	11 mm
LG2	6 mm
LG4	7 mm
Lk	300 mm
X1	58 mm
Y1	15 mm

### Contact to Schmalz

J. Schmalz GmbH | Johannes-Schmalz-Straße, 72293 Glatten, Deutschland | +49 7443 2403-102 | [customercenter@schmalz.de](mailto:customercenter@schmalz.de)

## Technical Data

Attribute	Value
Remaining force	0.3 N
Pressure range (operating pressure)	3.5 ... 6.0 bar
Installation position	Any
Control	Bistable
Ambient temperature	5 ... 70 °C
Weight	445 g

### Note:

- Holding force: The value given is a statistical value with no safety factor; based on a plate with a thickness of 2 mm. For system configurations with magnetic grippers SGM, a safety factor of  $S = 3$  must be applied

## Spare Parts



### NAEH-SCHA SMAGN-NPN S050

Part no. 10.01.17.00215

Proximity switch

Type: Magn. cylind. sensor-NPN

Voltage: 12-30V DC

Electrical connection:

Male connect M12, 4 pol



**REIB-RING SGM 50 PU-55**

Part no. 10.01.17.00138

Friction ring

for: Magnetic gripper

Size: 50

External diameter D: 50 mm

Internal diameter d: 35 mm

**Accessories**



**ASK B-M12-5 5000**

Part no. 21.04.05.00080

Connection cable

Interface Connection cable:

Fem connect M12, 5 pol

Cable length: 5000 mm

Material: PUR-Cable



**HTS-A2 SGM 50/70**

Part no. 10.01.17.00172

Holder system

Cross-beam connection:

Bolt with slot Ø19mm

for: Magnetic gripper

Size: 50/70



**HTS-A3 SGM 50/70**

Part no. 10.01.17.00173

Holder system

Cross-beam connection:

Ball head 28.5 mm

for: Magnetic gripper

Size: 50/70



**HTS-A2 D SGM 50/70**

Part no. 10.01.17.00178

Holder system

Cross-beam connection:

Bolt with slot Ø19mm

Shape: Double block

for: Magnetic gripper

Size: 50/70



**HTS-A3 D SGM 50/70**

Part no. 10.01.17.00179

Holder system

Cross-beam connection:

Ball head 28.5 mm

Shape: Double block

for: Magnetic gripper

Size: 50/70

**VSL 6-4 PU**

Part no. 10.07.09.00002

Hose for vacuum and compressed-air systems

External diameter D: 6 mm

Internal diameter d: 4 mm

Length (max): 500 m

Material: PU

Installation radius (min): 35 mm

Pressure range (operating pressure):

-0.95 ... 10.00 bar

Ambient temperature: -20 ... 90 °C

**STV-GE G1/8-AG 6**

Part no. 10.08.02.00204

Screw plug connection, straight

Thread G1: G1/8-M

External hose diameter: 6 mm

Material: Brass

Surface: nickel plated

Ambient temperature: -20 ... 80 °C

**STV-W G1/8-AG 6**

Part no. 10.08.02.00158

Screw plug connection, swivelling elbow

Thread G1: G1/8-M

External hose diameter: 6 mm

Material: Brass, nickel-plated

Ambient temperature: -20 ... 80 °C