

Holder system

HTS-A3 D SGM 50/70

<https://www.schmalz.com/10.01.17.00179>



Part no.: 10.01.17.00179

Homepage > Vacuum Technology for Automation > Vacuum Components > Special Grippers > Magnetic Grippers > Holder System Magnetic Grippers SGM > HTS-A3 D SGM 50/70

Holder system



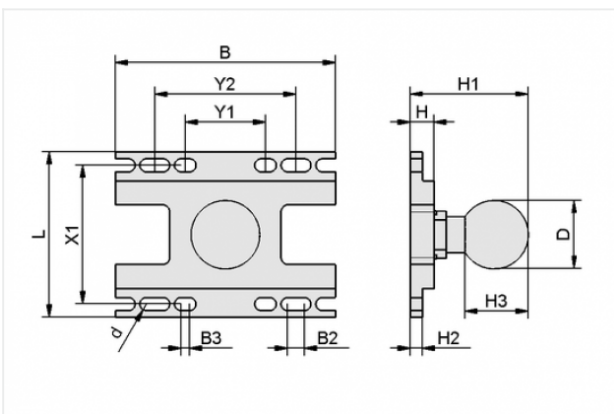
Cross-beam connection:

Ball head 28.5 mm

Shape: Double block
for: Magnetic gripper

Size: 50/70

Design Data



Attribute	Value
B	92 mm
B2	7 mm
B3	3.5 mm
d	5.5 mm
D	28.5 mm
H	9.9 mm
H1	49.3 mm
H2	5.2 mm
H3	26.4 mm
L	69 mm
X1	58 mm
Y1	33.5 mm
Y2	59 mm

Contact to Schmalz

J. Schmalz GmbH | Johannes-Schmalz-Straße, 72293 Glatten, Deutschland | +49 7443 2403-102 | customercenter@schmalz.de

Technical Data

Attribute	Value
Size	50/70
Material	Aluminium
Weight	175.4 g
