

Holder system

HTS-A2 D SGM 50/70

<https://www.schmalz.com/10.01.17.00178>



Part no.: 10.01.17.00178

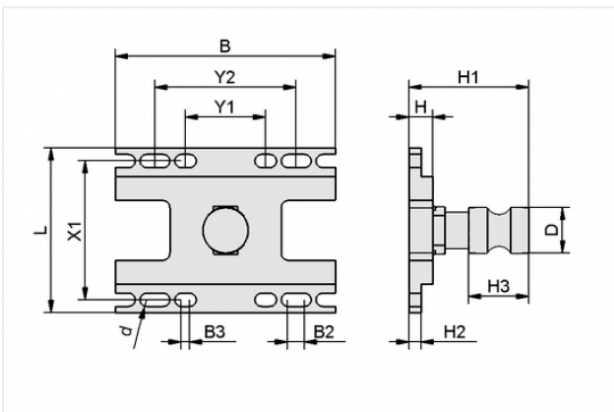
Homepage > Vacuum Technology for Automation > Vacuum Components > Special Grippers > Magnetic Grippers > Holder System Magnetic Grippers SGM > HTS-A2 D SGM 50/70

Holder system



Cross-beam connection:
Bolt with slot $\varnothing 19\text{mm}$
Shape: Double block
for: Magnetic gripper
Size: 50/70

Design Data



Attribute	Value
-----------	-------

B	92 mm
---	-------

B2	7 mm
----	------

B3	3.5 mm
----	--------

d	5.5 mm
---	--------

D	19 mm
---	-------

H	9.9 mm
---	--------

H1	50 mm
----	-------

H2	5.2 mm
----	--------

H3	25 mm
----	-------

L	69 mm
---	-------

X1	58 mm
----	-------

Y1	33.5 mm
----	---------

Y2	59 mm
----	-------

Contact to Schmalz

J. Schmalz GmbH | Johannes-Schmalz-Straße, 72293 Glatten, Deutschland | +49 7443 2403-102 | customercenter@schmalz.de

Technical Data

Attribute	Value
Size	50/70
Material	Aluminium
Weight	158.9 g
