

Holder system

HTS-A2 SGM 50/70

<https://www.schmalz.com/10.01.17.00172>



Part no.: 10.01.17.00172

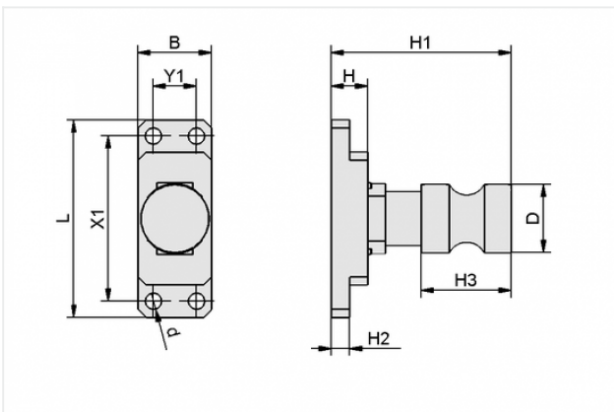
Homepage > Vacuum Technology for Automation > Vacuum Components > Special Grippers > Magnetic Grippers > Holder System Magnetic Grippers SGM > HTS-A2 SGM 50/70

Holder system



Cross-beam connection:
Bolt with slot $\varnothing 19\text{mm}$
for: Magnetic gripper
Size: 50/70

Design Data



| Attribute | Value |
|-----------|-------|
|-----------|-------|

| | |
|---|-------|
| B | 26 mm |
|---|-------|

| | |
|---|--------|
| d | 5.6 mm |
|---|--------|

| | |
|---|-------|
| D | 19 mm |
|---|-------|

| | |
|---|--------|
| H | 9.9 mm |
|---|--------|

| | |
|----|-------|
| H1 | 50 mm |
|----|-------|

| | |
|----|--------|
| H2 | 5.2 mm |
|----|--------|

| | |
|----|-------|
| H3 | 25 mm |
|----|-------|

| | |
|---|-------|
| L | 69 mm |
|---|-------|

| | |
|----|-------|
| X1 | 58 mm |
|----|-------|

| | |
|----|-------|
| Y1 | 15 mm |
|----|-------|

Contact to Schmalz

J. Schmalz GmbH | Johannes-Schmalz-Straße, 72293 Glatten, Deutschland | +49 7443 2403-102 | customercenter@schmalz.de

Technical Data

| Attribute | Value |
|-----------|-----------|
| Size | 50/70 |
| Material | Aluminium |
| Weight | 80.5 g |
