

Magnetic gripper

SGM-HD-S 30 G1/8-IG PNP

<https://www.schmalz.com/10.01.17.00352>



Part no.: 10.01.17.00352

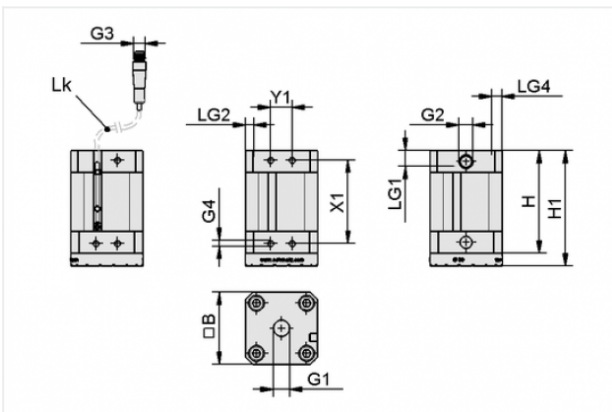
Homepage > Vacuum Technology for Automation > Vacuum Components > Special Grippers > Magnetic Grippers > Magnetic Grippers SGM > SGM-HD-S 30 G1/8-IG PNP

Magnetic gripper for handling metal sheets with holes



Size: 30
 Socket: G1/8"-F
 Holding force max friction ring: 35 N
 Pressure range (operating pressure):
 3.5 ... 6.0 bar
 Additional function: Sensor PNP
 Interface Connection 1:
 Male connect M12, 4 pol

Design Data



| Attribute | Value |
|-----------|---------|
| B | 29.5 mm |
| G1 | G1/8"-F |
| G2 | G1/8"-F |
| G3 | M12x1-M |
| G4 | M4-F |
| H | 70.2 mm |
| LG1 | 7 mm |
| LG2 | 6 mm |
| LG4 | 5 mm |
| Lk | 300 mm |
| X1 | 46 mm |
| Y1 | 12 mm |

Contact to Schmalz

J. Schmalz GmbH | Johannes-Schmalz-Straße, 72293 Glatten, Deutschland | +49 7443 2403-102 | customercenter@schmalz.de

Technical Data

| Attribute | Value |
|-------------------------------------|-----------------|
| Remaining force | 0.3 N |
| Pressure range (operating pressure) | 3.5 ... 6.0 bar |
| Installation position | Any |
| Control | Bistable |
| Ambient temperature | 5 ... 70 °C |
| Weight | 202.8 g |

Note:

- Holding force: The value given is a statistical value with no safety factor; based on a plate with a thickness of 2 mm. For system configurations with magnetic grippers SGM, a safety factor of $S = 3$ must be applied

Spare Parts



NAEH-SCHA SMAGN-PNP S051

Part no. 10.01.17.00199

Proximity switch

Type: Magn. cylind. sensor-PNP

Voltage: 15-30V DC

Electrical connection:

Male connect M12, 4 pol



REIB-RING SGM 30 PU-55

Part no. 10.01.17.00136

Friction ring

for: Magnetic gripper

Size: 30

External diameter D: 29.5 mm

Internal diameter d: 19 mm

Accessories



ASK B-M12-5 5000

Part no. 21.04.05.00080

Connection cable

Interface Connection cable:

Fem connect M12, 5 pol

Cable length: 5000 mm

Material: PUR-Cable



HTS-A2 SGM 30/40

Part no. 10.01.17.00169

Holder system

Cross-beam connection:

Bolt with slot Ø19mm

for: Magnetic gripper

Size: 30/40



HTS-A3 SGM 30/40

Part no. 10.01.17.00170

Holder system

Cross-beam connection:

Ball head 28.5 mm

for: Magnetic gripper

Size: 30/40



HTS-A2 D SGM 30/40

Part no. 10.01.17.00175

Holder system

Cross-beam connection:

Bolt with slot \varnothing 19mm

Shape: Double block

for: Magnetic gripper

Size: 30/40



HTS-A3 D SGM 30/40

Part no. 10.01.17.00176

Holder system

Cross-beam connection:

Ball head 28.5 mm

Shape: Double block

for: Magnetic gripper

Size: 30/40

**VSL 6-4 PU**

Part no. 10.07.09.00002

Hose for vacuum and compressed-air systems

External diameter D: 6 mm

Internal diameter d: 4 mm

Length (max): 500 m

Material: PU

Installation radius (min): 35 mm

Pressure range (operating pressure):

-0.95 ... 10.00 bar

Ambient temperature: -20 ... 90 °C

**STV-GE G1/8-AG 6**

Part no. 10.08.02.00204

Screw plug connection, straight

Thread G1: G1/8-M

External hose diameter: 6 mm

Material: Brass

Surface: nickel plated

Ambient temperature: -20 ... 80 °C

**STV-W G1/8-AG 6**

Part no. 10.08.02.00158

Screw plug connection, swivelling elbow

Thread G1: G1/8-M

External hose diameter: 6 mm

Material: Brass, nickel-plated

Ambient temperature: -20 ... 80 °C