

# Magnetic gripper

## SGM-S 30 G1/8-IG PNP

<https://www.schmalz.com/10.01.17.00200>



Part no.: 10.01.17.00200

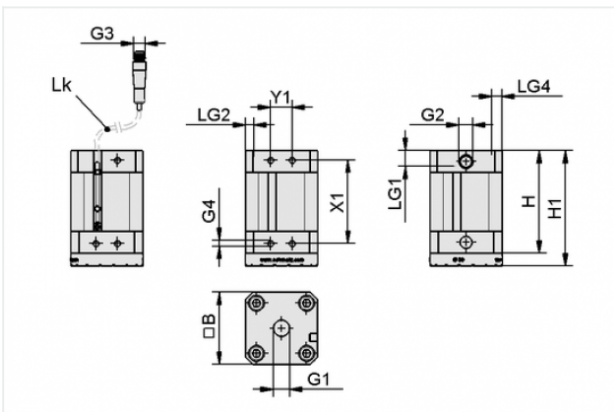
Homepage > Vacuum Technology for Automation > Vacuum Components > Special Grippers > Magnetic Grippers > Magnetic Grippers SGM > SGM-S 30 G1/8-IG PNP

### Magnetic gripper for handling metal sheets with holes



Size: 30  
 Socket: G1/8"-F  
 Holding force max friction ring: 35 N  
 Pressure range (operating pressure):  
 3.5 ... 6.0 bar  
 Additional function: Sensor PNP  
 Interface Connection 1:  
 Male connect M12, 4 pol

### Design Data



| Attribute | Value   |
|-----------|---------|
| B         | 30 mm   |
| G1        | G1/8"-F |
| G2        | G1/8"-F |
| G3        | M12x1-M |
| G4        | M4-F    |
| H         | 70.2 mm |
| LG1       | 7 mm    |
| LG2       | 6 mm    |
| LG4       | 5 mm    |
| Lk        | 300 mm  |
| X1        | 46 mm   |
| Y1        | 12 mm   |

### Contact to Schmalz

J. Schmalz GmbH | Johannes-Schmalz-Straße, 72293 Glatten, Deutschland | +49 7443 2403-102 | [customercenter@schmalz.de](mailto:customercenter@schmalz.de)

## Technical Data

| Attribute                           | Value           |
|-------------------------------------|-----------------|
| Remaining force                     | 0.3 N           |
| Pressure range (operating pressure) | 3.5 ... 6.0 bar |
| Installation position               | Any             |
| Control                             | Bistable        |
| Ambient temperature                 | 5 ... 70 °C     |
| Weight                              | 145 g           |

### Note:

- Holding force: The value given is a statistical value with no safety factor; based on a plate with a thickness of 2 mm. For system configurations with magnetic grippers SGM, a safety factor of  $S = 3$  must be applied

## Spare Parts



### NAEH-SCHA SMAGN-PNP S051

Part no. 10.01.17.00199

Proximity switch

Type: Magn. cylind. sensor-PNP

Voltage: 15-30V DC

Electrical connection:

Male connect M12, 4 pol



**REIB-RING SGM 30 PU-55**

Part no. 10.01.17.00136

Friction ring

for: Magnetic gripper

Size: 30

External diameter D: 29.5 mm

Internal diameter d: 19 mm

**Accessories**



**ASK B-M12-5 5000**

Part no. 21.04.05.00080

Connection cable

Interface Connection cable:

Fem connect M12, 5 pol

Cable length: 5000 mm

Material: PUR-Cable



**HTS-A2 SGM 30/40**

Part no. 10.01.17.00169

Holder system

Cross-beam connection:

Bolt with slot Ø19mm

for: Magnetic gripper

Size: 30/40



**HTS-A3 SGM 30/40**

Part no. 10.01.17.00170

Holder system

Cross-beam connection:

Ball head 28.5 mm

for: Magnetic gripper

Size: 30/40



**HTS-A2 D SGM 30/40**

Part no. 10.01.17.00175

Holder system

Cross-beam connection:

Bolt with slot Ø19mm

Shape: Double block

for: Magnetic gripper

Size: 30/40



**HTS-A3 D SGM 30/40**

Part no. 10.01.17.00176

Holder system

Cross-beam connection:

Ball head 28.5 mm

Shape: Double block

for: Magnetic gripper

Size: 30/40

**VSL 6-4 PU**

Part no. 10.07.09.00002

Hose for vacuum and compressed-air systems

External diameter D: 6 mm

Internal diameter d: 4 mm

Length (max): 500 m

Material: PU

Installation radius (min): 35 mm

Pressure range (operating pressure):

-0.95 ... 10.00 bar

Ambient temperature: -20 ... 90 °C

**STV-GE G1/8-AG 6**

Part no. 10.08.02.00204

Screw plug connection, straight

Thread G1: G1/8-M

External hose diameter: 6 mm

Material: Brass

Surface: nickel plated

Ambient temperature: -20 ... 80 °C

**STV-W G1/8-AG 6**

Part no. 10.08.02.00158

Screw plug connection, swivelling elbow

Thread G1: G1/8-M

External hose diameter: 6 mm

Material: Brass, nickel-plated

Ambient temperature: -20 ... 80 °C