

Plug union, T STV-T G1/4-AG 6

Part no.: 10.09.02.00042

<https://www.schmalz.com/10.09.02.00042>



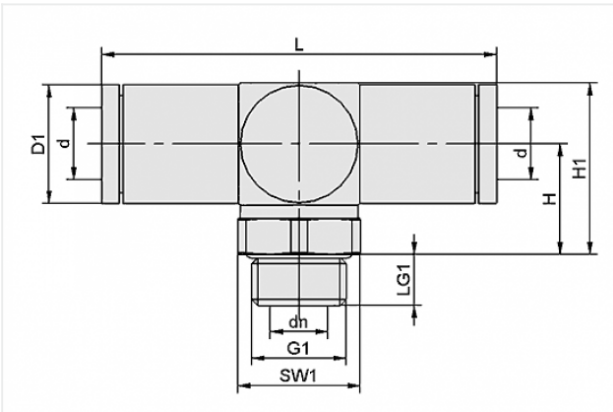
Homepage > Vacuum Technology for Automation > Vacuum Components > Filters and Connections > Hoses and Connectors > Screw in Push Fittings > STV-T G1/4-AG 6

Screw plug connection, T



Thread 1: G1/4-M
External hose diameter: 6 mm
Length: 41 mm
Material: Brass
Surface: nickel plated

Design Data



Attribute	Value
-----------	-------

d	6 mm
dn	4 mm
D1	11.3 mm
G1	G1/4"-M
H	12.6 mm
H1	18.4 mm
L	41 mm
LG1	7.6 mm
SW1	17 mm

Contact to Schmalz

J. Schmalz GmbH | Johannes-Schmalz-Straße, 72293 Glatten, Deutschland | +49 7443 2403-102 | customercenter@schmalz.de

Technical Data

Attribute	Value
Hose type	6-4
Material	Brass
Surface	nickel plated
for	Hose D = 6 d = 4
Weight	32.5 g

Accessories



VSL 6-4 PTFE

Part no. 10.07.09.00157

Hose for vacuum and compressed-air systems

External diameter D: 6 mm

Internal diameter d: 4 mm

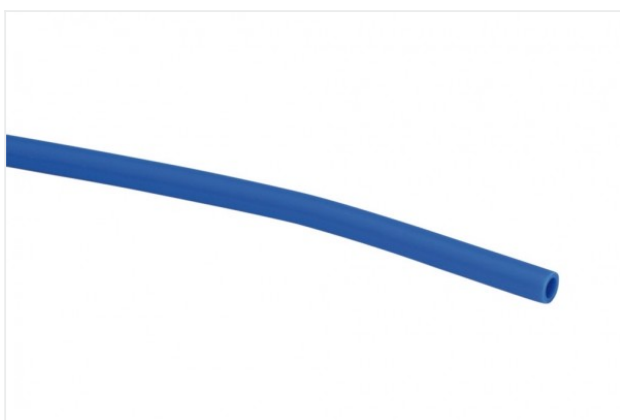
Length (max): 50 m

Material: Polytetrafluorethylene

Installation radius (min): 35 mm

Colour: natur

Ambient temperature: -190 ... 260 °C



VSL 6-4 PE

Part no. 10.07.09.00014

Hose for vacuum and compressed-air systems

External diameter D: 6 mm

Internal diameter d: 4 mm

Length (max): 100 m

Material: PE

Installation radius (min): 35 mm

Pressure range (operating pressure):

-0.95 ... 10.00 bar

Ambient temperature: -30 ... 70 °C

**VSL 6-4 PU**

Part no. 10.07.09.00002

Hose for vacuum and compressed-air systems

External diameter D: 6 mm

Internal diameter d: 4 mm

Length (max): 500 m

Material: PU

Installation radius (min): 35 mm

Pressure range (operating pressure):

-0.95 ... 10.00 bar

Ambient temperature: -20 ... 90 °C