

# Plug union, elbow

## STV-W G1/8-AG 6

<https://www.schmalz.com/10.08.02.00288>



Part no.: 10.08.02.00288

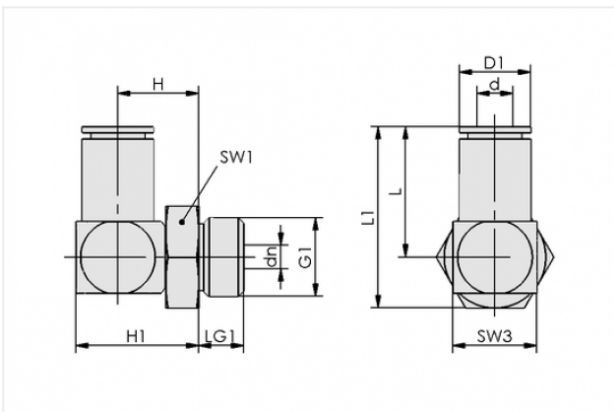
Homepage > Vacuum Technology for Automation > Vacuum Components > Filters and Connections > Hoses and Connectors > Screw in Push Fittings > STV-W G1/8-AG 6

### Screw plug connection, swivelling elbow



Thread G1: G1/8-M  
External hose diameter: 6 mm  
Material: Plastic

### Design Data



Attribute	Value
-----------	-------

d	6 mm
---	------

dn	4 mm
----	------

D1	11.5 mm
----	---------

G1	G1/8"-M
----	---------

H	12.5 mm
---	---------

H1	16.5 mm
----	---------

L	20.8 mm
---	---------

L1	27.5 mm
----	---------

LG1	6 mm
-----	------

SW1	13 mm
-----	-------

SW3	8 mm
-----	------

### Contact to Schmalz

J. Schmalz GmbH | Johannes-Schmalz-Straße, 72293 Glatten, Deutschland | +49 7443 2403-102 | [customercenter@schmalz.de](mailto:customercenter@schmalz.de)

## Technical Data

Attribute	Value
Hose type	6-4
Material	Plastic
for	Hose D = 6 d = 4
Weight	8.2 g

## Accessories



### VSL 6-4 PTFE

Part no. 10.07.09.00157

Hose for vacuum and compressed-air systems

External diameter D: 6 mm

Internal diameter d: 4 mm

Length (max): 50 m

Material: Polytetrafluorethylene

Installation radius (min): 35 mm

Colour: natur

Ambient temperature: -190 ... 260 °C



### VSL 6-4 PE

Part no. 10.07.09.00014

Hose for vacuum and compressed-air systems

External diameter D: 6 mm

Internal diameter d: 4 mm

Length (max): 100 m

Material: PE

Installation radius (min): 35 mm

Pressure range (operating pressure):

-0.95 ... 10.00 bar

Ambient temperature: -30 ... 70 °C

**VSL 6-4 PU**

Part no. 10.07.09.00002

Hose for vacuum and compressed-air systems

External diameter D: 6 mm

Internal diameter d: 4 mm

Length (max): 500 m

Material: PU

Installation radius (min): 35 mm

Pressure range (operating pressure):

-0.95 ... 10.00 bar

Ambient temperature: -20 ... 90 °C