

Plug union, elbow STV-W M5-AG 6 HT

<https://www.schmalz.com/10.08.02.00397>



Part no.: 10.08.02.00397

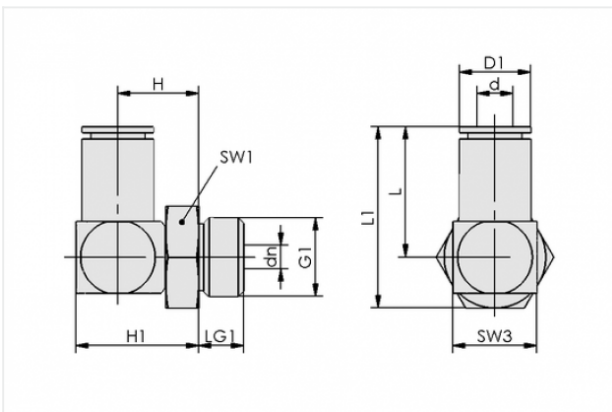
Homepage > Vacuum Technology for Automation > Vacuum Components > Filters and Connections > Hoses and Connectors > Screw in Push Fittings > STV-W M5-AG 6 HT

Screw plug connection, swivelling elbow



Thread G1: M5-M
External hose diameter: 6 mm
Material: Brass
Surface: nickel plated
Ambient temperature: -50 ... 200 °C
Type: HT

Design Data



Attribute	Value
-----------	-------

d	6 mm
D1	11.6 mm
G1	M5-M
H	11.7 mm
H1	17.3 mm
L	22.5 mm
L1	28.5 mm
LG1	5.5 mm
SW1	13 mm
SW3	12 mm

Contact to Schmalz

J. Schmalz GmbH | Johannes-Schmalz-Straße, 72293 Glatten, Deutschland | +49 7443 2403-102 | customercenter@schmalz.de

Technical Data

Attribute	Value
Hose type	6-4
Material	Brass
Surface	nickel plated
Pressure range (operating pressure)	-0.95 ... 24.00 bar
Ambient temperature	-50 ... 200 °C
for	Hose D = 6 d = 4
Weight	22 g

Accessories



VSL 6-4 PTFE

Part no. 10.07.09.00157

Hose for vacuum and compressed-air systems

External diameter D: 6 mm

Internal diameter d: 4 mm

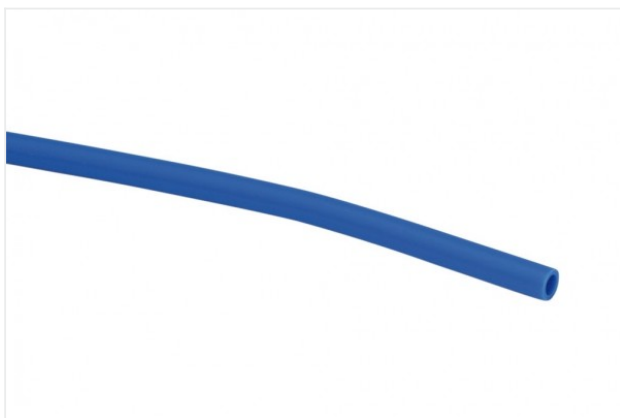
Length (max): 50 m

Material: Polytetrafluorethylene

Installation radius (min): 35 mm

Colour: natur

Ambient temperature: -190 ... 260 °C



VSL 6-4 PE

Part no. 10.07.09.00014

Hose for vacuum and compressed-air systems

External diameter D: 6 mm

Internal diameter d: 4 mm

Length (max): 100 m

Material: PE

Installation radius (min): 35 mm

Pressure range (operating pressure):

-0.95 ... 10.00 bar

Ambient temperature: -30 ... 70 °C

Contact to Schmalz

**VSL 6-4 PU**

Part no. 10.07.09.00002

Hose for vacuum and compressed-air systems

External diameter D: 6 mm

Internal diameter d: 4 mm

Length (max): 500 m

Material: PU

Installation radius (min): 35 mm

Pressure range (operating pressure):

-0.95 ... 10.00 bar

Ambient temperature: -20 ... 90 °C