

# Vacuum hose

## VSL 6-4 PTFE

Part no.: 10.07.09.00157

<https://www.schmalz.com/10.07.09.00157>



Homepage > Vacuum Technology for Automation > Vacuum Components > Filters and Connections > Hoses and Connectors > Vacuum /

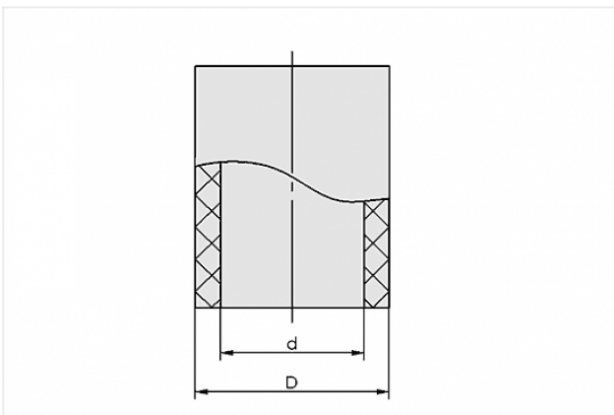
Compressed-Air Hoses VSL > VSL 6-4 PTFE

### Hose for vacuum and compressed-air systems



External diameter D: 6 mm  
Internal diameter d: 4 mm  
Length (max): 50 m  
Material: Polytetrafluorethylene  
Installation radius (min): 35 mm  
Colour: natur  
Ambient temperature: -190 ... 260 °C

### Design Data



| Attribute | Value |
|-----------|-------|
|-----------|-------|

|   |      |
|---|------|
| d | 4 mm |
|---|------|

|   |      |
|---|------|
| D | 6 mm |
|---|------|

### Technical Data

| Attribute | Value |
|-----------|-------|
|-----------|-------|

|          |                        |
|----------|------------------------|
| Material | Polytetrafluorethylene |
|----------|------------------------|

|                     |                 |
|---------------------|-----------------|
| Ambient temperature | -190 ... 260 °C |
|---------------------|-----------------|

### Contact to Schmalz

J. Schmalz GmbH | Johannes-Schmalz-Straße, 72293 Glatten, Deutschland | +49 7443 2403-102 | [customercenter@schmalz.de](mailto:customercenter@schmalz.de)

| Attribute                 | Value      |
|---------------------------|------------|
| Installation radius (min) | 35 mm      |
| Length (max)              | 50 m       |
| Weight/Meter              | 42 g/m     |
| Weight/Meter              | 0.042 kg/m |

**Note:**

- Operating pressure: In reference to media and ambient temperature of + 20°C
- Bending radius: Referred to the inner side of the hose bend in a static state
- Max. length: Please indicate the tube length when placing the order!

**Accessories**



**ST M5-AG 4 MS-V**

Part no. 10.08.03.00152

Hose sleeve

Thread 1: M5-M

Internal hose diameter: 4 mm

Material: Brass

Surface: nickel plated



**ST G1/8-AG 4 MS-V**

Part no. 10.08.03.00153

Hose sleeve

Thread 1: G1/8-M

Internal hose diameter: 4 mm

Material: Brass

Surface: nickel plated



**STV-GE M5-AG 6**

Part no. 10.08.02.00201

Screw plug connection, straight

Thread G1: M5-M

External hose diameter: 6 mm

Material: Brass

Surface: nickel plated

Ambient temperature: -20 ... 80 °C



**STV-GE G1/8-AG 6**

Part no. 10.08.02.00204

Screw plug connection, straight

Thread G1: G1/8-M

External hose diameter: 6 mm

Material: Brass

Surface: nickel plated

Ambient temperature: -20 ... 80 °C



**STV-GE G1/4-AG 6**

Part no. 10.08.02.00205

Screw plug connection, straight

Thread G1: G1/4-M

External hose diameter: 6 mm

Material: Brass

Surface: nickel plated

Ambient temperature: -20 ... 80 °C



**STVI-GE G1/8-IG 6**

Part no. 10.08.02.00150

Screw plug connection, straight

Thread 1: G1/8-F

External hose diameter: 6 mm

Material: Brass

Surface: nickel plated



**STVI-GE G1/4-IG 6**

Part no. 10.08.02.00153

Screw plug connection, straight

Thread G1: G1/4-F

External hose diameter: 6 mm

Material: Brass

Surface: nickel plated



**STV-W M5-AG 6**

Part no. 10.08.02.00235

Screw plug connection, swivelling elbow

Thread G1: M5-M

External hose diameter: 6 mm

Material: Brass, nickel-plated

Ambient temperature: -20 ... 80 °C



**STV-W G1/8-AG 6**

Part no. 10.08.02.00158

Screw plug connection, swivelling elbow

Thread G1: G1/8-M

External hose diameter: 6 mm

Material: Brass, nickel-plated

Ambient temperature: -20 ... 80 °C



**STV-W G1/4-AG 6**

Part no. 10.08.02.00159

Screw plug connection, swivelling elbow

Thread G1: G1/4-M

External hose diameter: 6 mm

Material: Brass, nickel-plated

Ambient temperature: -20 ... 80 °C



**STV-GE M5-AG 6 HT**

Part no. 10.08.02.00396

Screw plug connection, straight

Thread G1: M5-M

External hose diameter: 6 mm

Material: Brass

Surface: nickel plated

Ambient temperature: -50 ... 200 °C

Type: HT



**STV-GE G1/8-AG 6 HT**

Part no. 10.08.02.00389

Screw plug connection, straight

Thread G1: G1/8-M

External hose diameter: 6 mm

Material: Brass

Surface: nickel plated

Ambient temperature: -50 ... 200 °C

Type: HT



**STV-W M5-AG 6**

Part no. 10.08.02.00296

Screw plug connection, swivelling elbow

Thread G1: M5-M

External hose diameter: 6 mm

Material: Plastic



**STV-W M5-AG 6 HT**

Part no. 10.08.02.00397

Screw plug connection, swivelling elbow

Thread G1: M5-M

External hose diameter: 6 mm

Material: Brass

Surface: nickel plated

Ambient temperature: -50 ... 200 °C

Type: HT



**STV-W G1/8-AG 6**

Part no. 10.08.02.00288

Screw plug connection, swivelling elbow

Thread G1: G1/8-M

External hose diameter: 6 mm

Material: Plastic



**STV-W G1/8-AG 6 HT**

Part no. 10.08.02.00391

Screw plug connection, swivelling elbow

Thread G1: G1/8-M

External hose diameter: 6 mm

Material: Brass

Surface: nickel plated

Ambient temperature: -50 ... 200 °C

Type: HT



**STV-WF G1/8-AG 6**

Part no. 10.08.02.00168

Screw plug connection, swivelling and lockable

Thread G1: G1/8-M

External hose diameter: 6 mm

Material: Brass, nickel-plated



**STV-WF G1/4-AG 6**

Part no. 10.08.02.00169

Screw plug connection, swivelling and lockable

Thread G1: G1/4-M

External hose diameter: 6 mm

Material: Brass, nickel-plated



**SVB-T 6**

Part no. 10.09.02.00021

Plug connection, T

External hose diameter: 6 mm

Length: 42 mm

Material: Brass

Surface: nickel plated



**STV-T G1/8-AG 6**

Part no. 10.09.02.00040

Screw plug connection, T

Thread 1: G1/8-M

External hose diameter: 6 mm

Length: 41.5 mm

Material: Brass

Surface: nickel plated





**STV-T G1/4-AG 6**

Part no. 10.09.02.00042

Screw plug connection, T

Thread 1: G1/4-M

External hose diameter: 6 mm

Length: 41 mm

Material: Brass

Surface: nickel plated