

Holder system

HTS-A3 D SGM 30/40

<https://www.schmalz.com/10.01.17.00176>



Part no.: 10.01.17.00176

Homepage > Vacuum Technology for Automation > Vacuum Components > Special Grippers > Magnetic Grippers > Holder System Magnetic Grippers SGM > HTS-A3 D SGM 30/40

Holder system



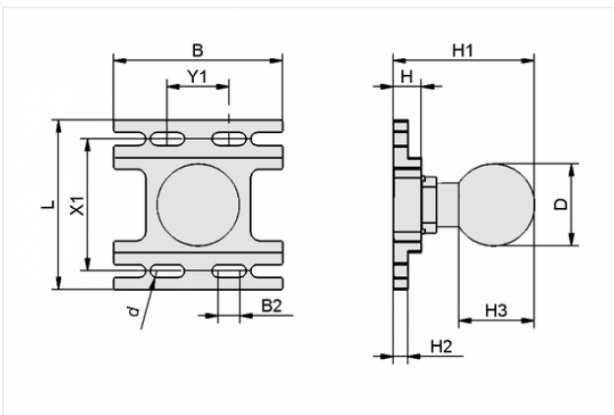
Cross-beam connection:

Ball head 28.5 mm

Shape: Double block
for: Magnetic gripper

Size: 30/40

Design Data



Attribute	Value
-----------	-------

B	59 mm
---	-------

B2	7.5 mm
----	--------

d	4.5 mm
---	--------

D	28.5 mm
---	---------

H	9.9 mm
---	--------

H1	49.3 mm
----	---------

H2	5.2 mm
----	--------

H3	26.4 mm
----	---------

L	59 mm
---	-------

X1	46 mm
----	-------

Y1	21.5 mm
----	---------

Contact to Schmalz

J. Schmalz GmbH | Johannes-Schmalz-Straße, 72293 Glatten, Deutschland | +49 7443 2403-102 | customercenter@schmalz.de

Technical Data

Attribute	Value
Size	30/40
Material	Aluminium
Weight	111.5 g
