

# Holder system

## HTS-A2 D SGM 30/40

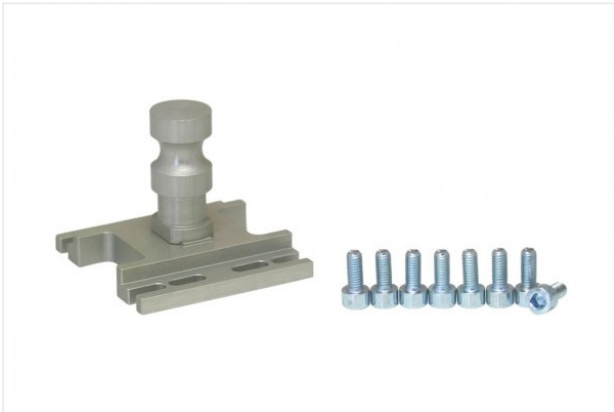
<https://www.schmalz.com/10.01.17.00175>



Part no.: 10.01.17.00175

Homepage > Vacuum Technology for Automation > Vacuum Components > Special Grippers > Magnetic Grippers > Holder System Magnetic Grippers SGM > HTS-A2 D SGM 30/40

## Holder system



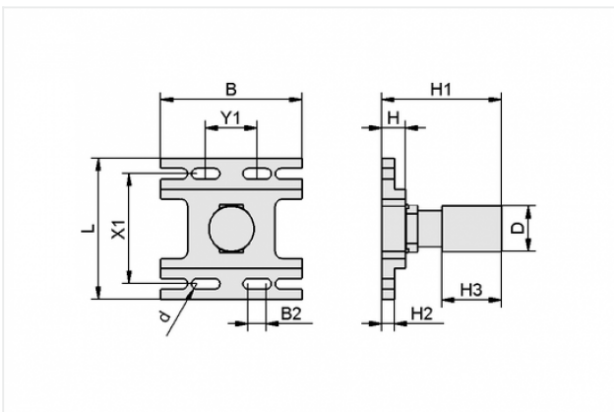
Cross-beam connection:

Bolt with slot  $\varnothing 19\text{mm}$

Shape: Double block  
for: Magnetic gripper

Size: 30/40

## Design Data



Attribute	Value
-----------	-------

B	59 mm
---	-------

B2	7.5 mm
----	--------

d	4.5 mm
---	--------

D	19 mm
---	-------

H	9.9 mm
---	--------

H1	50 mm
----	-------

H2	5.2 mm
----	--------

H3	25 mm
----	-------

L	59 mm
---	-------

X1	46 mm
----	-------

Y1	21.5 mm
----	---------

## Contact to Schmalz

J. Schmalz GmbH | Johannes-Schmalz-Straße, 72293 Glatten, Deutschland | +49 7443 2403-102 | [customercenter@schmalz.de](mailto:customercenter@schmalz.de)

## Technical Data

Attribute	Value
Size	30/40
Material	Aluminium
Weight	95 g

---

---