

Holder system

HTS-A2 SGM 30/40

<https://www.schmalz.com/10.01.17.00169>



Part no.: 10.01.17.00169

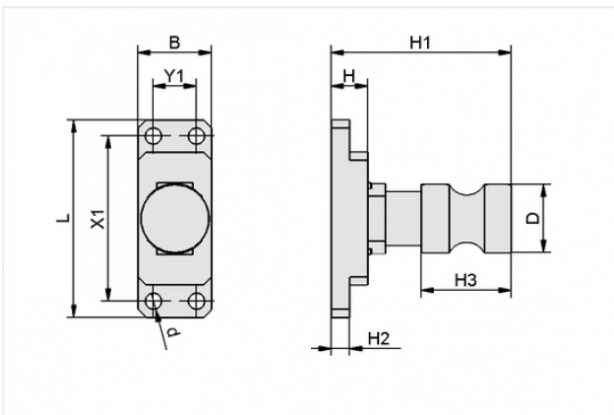
Homepage > Vacuum Technology for Automation > Vacuum Components > Special Grippers > Magnetic Grippers > Holder System Magnetic Grippers SGM > HTS-A2 SGM 30/40

Holder system



Cross-beam connection:
Bolt with slot $\varnothing 19\text{mm}$
for: Magnetic gripper
Size: 30/40

Design Data



Attribute	Value
-----------	-------

B	20.5 mm
---	---------

d	4.6 mm
---	--------

D	19 mm
---	-------

H	9.9 mm
---	--------

H1	50 mm
----	-------

H2	5.2 mm
----	--------

H3	25 mm
----	-------

L	55 mm
---	-------

X1	46 mm
----	-------

Y1	12 mm
----	-------

Contact to Schmalz

J. Schmalz GmbH | Johannes-Schmalz-Straße, 72293 Glatten, Deutschland | +49 7443 2403-102 | customercenter@schmalz.de

Technical Data

Attribute	Value
Size	30/40
Material	Aluminium
Weight	59.8 g
