

# Flat suction cup (oval)

## SAOF 100x50 HT2-65 G1/4-IG

<https://www.schmalz.com/10.01.05.00754>



Part no.: 10.01.05.00754

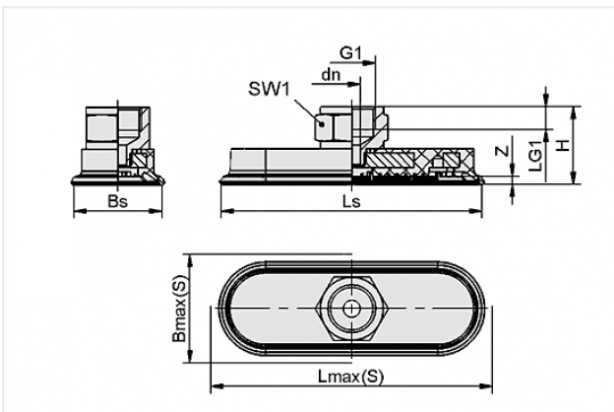
Homepage > Vacuum Technology for Automation > Vacuum Components > Vacuum Suction Cups > Flat Suction Cups (Oval) > Flat Suction Cups SAOF HT2 (Oval) > SAOF 100x50 HT2-65 G1/4-IG

## Flat suction cup (oval) for very dynamic handling



Dimensions (LxB): 100 x 50 mm  
Suction cup material:  
High temp material HT2  
Material hardness: 65 °Sh  
Temperature resistance: 250 °C  
Nipple material: Brass, nickel-plated  
Vacuum connection: G1/4-F

## Design Data



Attribute	Value
-----------	-------

Bmax(S)	54 mm
---------	-------

Bs	48.1 mm
----	---------

dn	8 mm
----	------

G1	G1/4"-F
----	---------

H	30 mm
---	-------

LG1	8 mm
-----	------

Lmax(S)	106 mm
---------	--------

Ls	101.1 mm
----	----------

SW1	17 mm
-----	-------

Z	5 mm
---	------

## Contact to Schmalz

J. Schmalz GmbH | Johannes-Schmalz-Straße, 72293 Glatten, Deutschland | +49 7443 2403-102 | [customercenter@schmalz.de](mailto:customercenter@schmalz.de)

## Technical Data

Attribute	Value
Suction force	217 N
Lateral force	177 N
Volume	20 cm <sup>3</sup>
Curve radius (min) (convex)	75 mm
Internal hose diameter (recom.)	6 mm
Dimensions (LxB)	100 x 50 mm
Connection	G1/4"-F
Nipple material	Brass, nickel-plated
Number of folds	0
Suction cup material	High temp material HT2
Material hardness	65 °Sh
Temperature resistance	250 °C
Weight	91.6 g
Product family	SAOF

---

---