

# Flat suction cup (oval)

## SAOF 100x50 HT2-65 G1/4-AG

<https://www.schmalz.com/10.01.05.00755>



Part no.: 10.01.05.00755

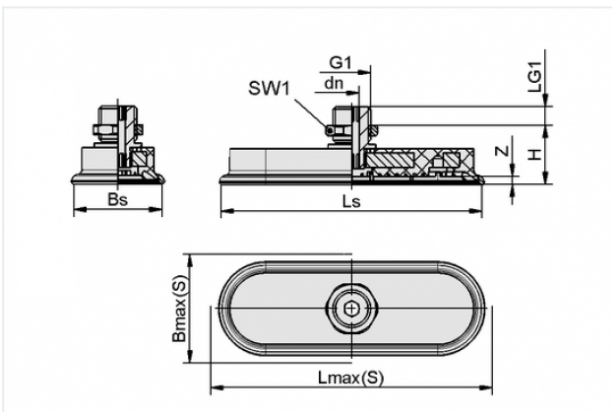
Homepage > Vacuum Technology for Automation > Vacuum Components > Vacuum Suction Cups > Flat Suction Cups (Oval) > Flat Suction Cups SAOF HT2 (Oval) > SAOF 100x50 HT2-65 G1/4-AG

### Flat suction cup (oval) for very dynamic handling



Dimensions (LxB): 100 x 50 mm  
 Suction cup material:  
 High temp material HT2  
 Material hardness: 65 °Sh  
 Temperature resistance: 250 °C  
 Nipple material: Aluminium  
 Vacuum connection: G1/4-M

### Design Data



Attribute	Value
Bmax(S)	54 mm
Bs	48.1 mm
dn	6 mm
G1	G1/4"-M
H	22 mm
LG1	8 mm
Lmax(S)	106 mm
Ls	101.1 mm
SW1	17 mm
Z	5 mm

### Contact to Schmalz

J. Schmalz GmbH | Johannes-Schmalz-Straße, 72293 Glatten, Deutschland | +49 7443 2403-102 | [customercenter@schmalz.de](mailto:customercenter@schmalz.de)

## Technical Data

Attribute	Value
Suction force	217 N
Lateral force	177 N
Volume	20 cm <sup>3</sup>
Curve radius (min) (convex)	75 mm
Internal hose diameter (recom.)	6 mm
Dimensions (LxB)	100 x 50 mm
Connection	G1/4"-M
Nipple material	Aluminium
Number of folds	0
Suction cup material	High temp material HT2
Material hardness	65 °Sh
Temperature resistance	250 °C
Weight	81.1 g
Product family	SAOF